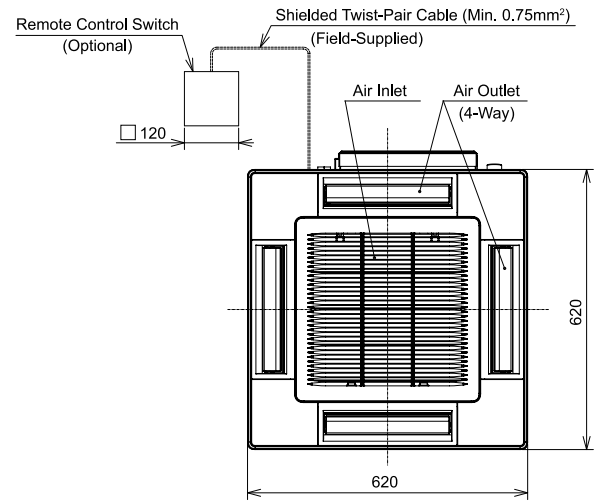
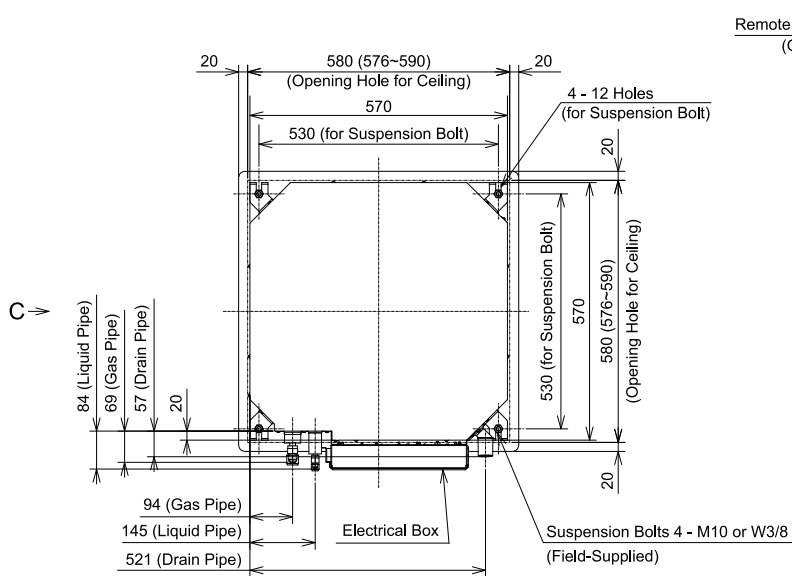
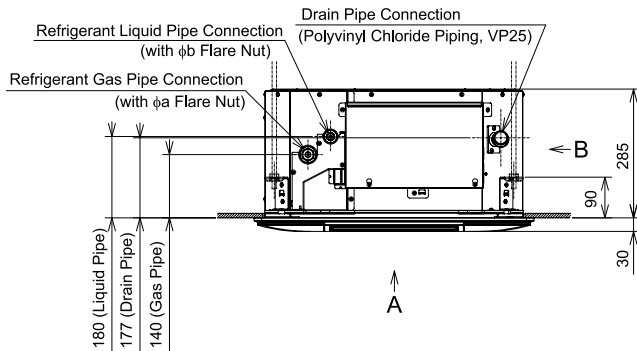


Unit: mm

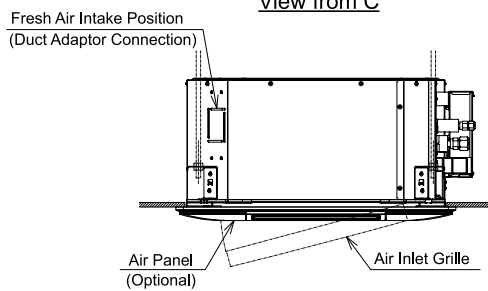
View from A



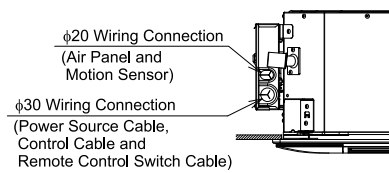
MODEL	Dimension	
	a	b
RAI-25RPE	12.7	6.35
RAI-35RPE	12.7	6.35



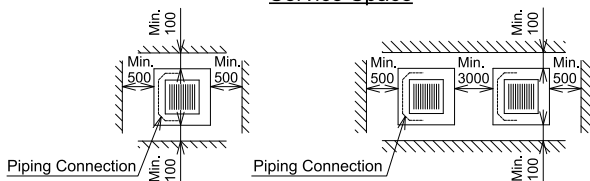
View from C



View from B



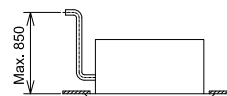
Service Space



Separated Installation

Closed Installation

Drain Piping



NOTES:

1. Distance between the wall and panel edge must be a min. 1500mm to prevent short circuiting.
2. This dimensional data shows the indoor unit with the air panel.