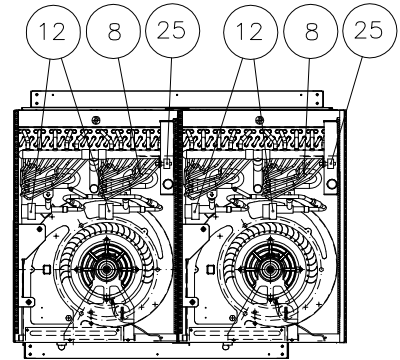
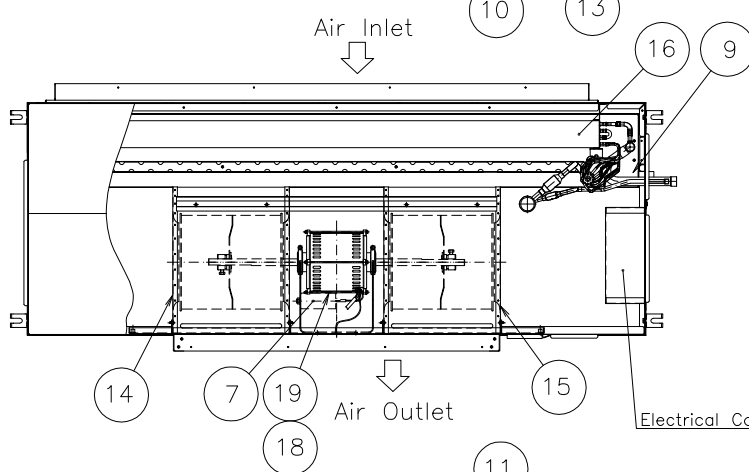
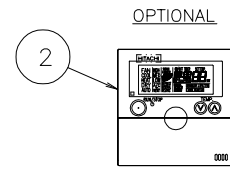
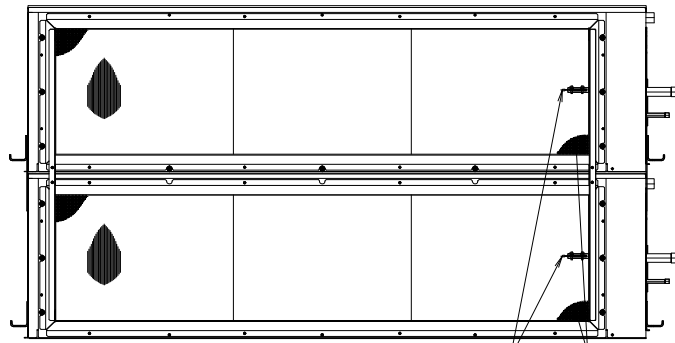
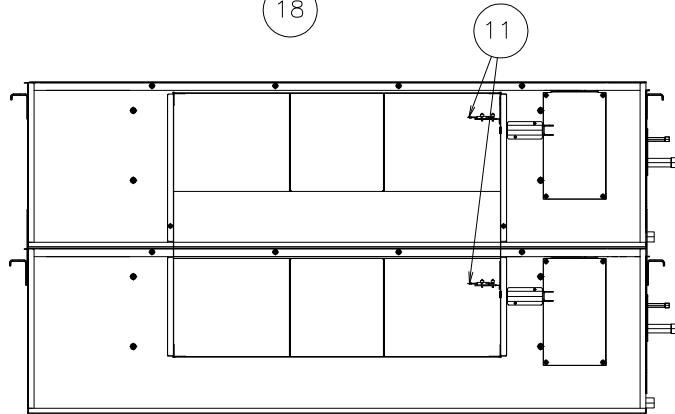


No.	DESCRIPTION	DWG No.	PART No.	MODEL NAME		REMARKS
				RPI-16.0FSN3PE 1 ~ 230V 50Hz	RPI-20.0FSN3PE 1 ~ 230V 50Hz	
				PRODUCT CODE		
				7E425038		
				7E425039		
1	Terminal Board	XEK21159 A	E00750	2	2	
2	Remote Control SW	70510000	E01693	1	1	PC-ART (Optional)
3	Circuit Breaker	XEK21329 D	E04660	2	2	
4	Rail	XEK37526 C	E04089	2	2	
5	End Bracket	XEK36165 A	E02536	4	4	
6	Electrical Box	XEK01388 A	E04091	1	1	Assembly (Steel Plates + Components + Harness) Upper
6	Electrical Box	XEK01388 B	E04092	1	1	Assembly (Steel Plates + Components + Harness) Lower
7	Capacitor	XEK20633 R	E01852	2		20µF
7	Capacitor	XEK20633 Q	E01842		2	25µF
8	Thermistor	17C74419 J	E01198	2	2	For liquid Pipe
9	Thermistor	17C74419 K	E02879	2	2	For Gas Pipe
10	Thermistor	XEK11209 F	E01238	2	2	For Inlet Air
11	Thermistor	XEK11209 H	E01239	2	2	For Outlet Air
12	Expansion Valve	17C87882 B	E00856	4		
12	Expansion Valve	17C87883 B	E01716		4	
13	Filter	XEK38289 A	E04090	2	2	
14	Fan Casing/Runner R	XEK23103 A	E01845	2	2	Fan Casing + Runner (Right)
15	Fan Casing/Runner L	XEK23104 A	E01846	2	2	Fan Casing + Runner (Left)
16	Heat Exchanger	XEK11651 A	E01847	2		Assembly
16	Heat Exchanger	XEK11652 A	E01848		2	Assembly
17	Spacer	XEK30992 B	P19112	16	16	For PCB Fixing
18	Fan Assy	XEK23997 A	E04613	2		(Stay + Base + Motor + Cassings + Runners + Capacitor)
18	Fan Assy	XEK23997 B	E04614		2	(Stay + Base + Motor + Cassings + Runners + Capacitor)
19	Fan Motor	XEK11943 A	E02735	2	2	
20	Power Relay	17B05678 C	C3950	2	2	
21	Aux. Relay	XEK22784 A	E01769	2	2	
22	Transformer	17B26061 A	E01242	2	2	
23	Printed Circuit Board	17B37988 E	E01851	2	2	(PI065 ASSY)
24	Relay PCB	17C67473 A	E01037	2	2	
25	Float Switch	17B24618 A	E01038	2	2	



Electrical Control Box (Upper)



3D View (Inlet)

3D View (outlet)

