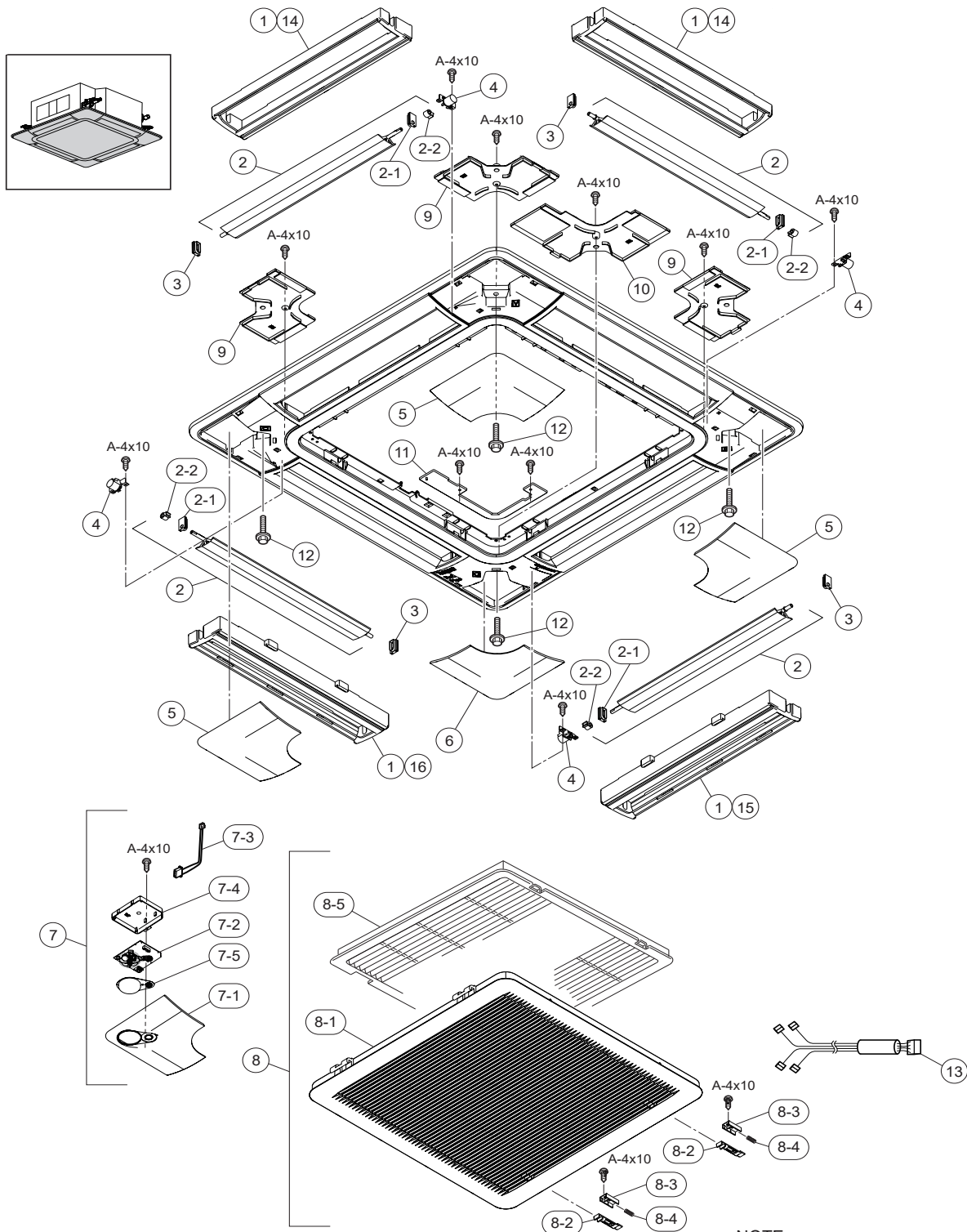


PRODUCT CODE	60297328
	60297337
MODEL NAME	P-AP160NAE2
	P-AP160KA3

No.	DESCRIPTION	DWG No.	PART No.	Qty	Qty	REMARKS
1	Guide	17H23269A	-	4		
1	Guide	17H23269B	-		4	
2	Louver Assy	17F16430A	P30082	4		Assembly (No. 2-1 Bearing x 1, No.2-2 Stopper x 1 Included)
2	Louver Assy	17F16430B	P30083		4	Assembly (No. 2-1 Bearing x 1, No.2-2 Stopper x 1 Included)
2-1	Bearing	17F13548A	P30087	4	4	
2-2	Stopper	17F13549A	-	4	4	
3	Bearing	17F13548A	P30087	4	4	
4	AS Motor Assy	17H23268A	P30088	4	4	
5	CP-Cover Assy	17H25905A	P30307	2		
5	CP-Cover Assy	17H25905B	P30308		3	
6	CP-Cover Assy	17H25905F	P30312	1		HITACHI Label
6	CP-Cover Assy	17H25905G	P30313		1	HITACHI Label
7	Sensor Assy	17F14067A	-	1		Motion Sensor
7-1	CP-Cover Assy	17H23947A	P30089	1		for Motion Sensor
7-2	PCB	17H24329A	P30074	1		for Motion Sensor
7-3	Cord	17H23878A	-	1		for Motion Sensor
7-4	Sensor Case	17F13980A	-	1		for Motion Sensor
7-5	Sensor Cover	17E26715A	P30091	1		
8	Grille Assy	17B42664L	P32727	1		
8	Grille Assy	17B42664M	P32728		1	
8-1	Air Inlet Grille	17A21034A	P28270	1		
8-1	Air Inlet Grille	17A21034B	P28965		1	
8-2	Knob	17F02391A	P28271	2		
8-2	Knob	17F02391B	P28969		2	
8-3	Knob Holder	17F02392A	P28272	2		
8-3	Knob Holder	17F02392B	P28973		2	
8-4	Spring	17G53242A	P24454	2	2	
8-5	Air Filter	17B31467B	P31977	1	1	
9	CP-Cover Assy	17H12912A	P28977	3	3	
10	CP-Cover Assy	17H23482A	P32726	1	1	
11	Oil Guard	17B42582A	P28979	1	1	
12	Long Screw	17G10414A	P21335	4	4	M6X50
13	Cable AS	17B47588A	-	1	1	
14	Insulation	17H12279B	-	4	4	
15	Insulation	17H12279C	-	2	2	
16	Insulation	17H12279D	-	2	2	



A	Truss Head Tapping Screw		F	Stud Bolt	
B	Round Head Screw		G	Nut	
C	Flat Head Screw		H	Washer	
D	Pan Head Tapping Screw		J	Spring Lock Washer	
E	Hexagon Head Bolt		K	Toothed Lock Washer	

NOTE:
The unchromated coating is applied to iron and steel material for the unspecified materials of the bolt and screw.

NOTE:

The parts without order number are the custom-ordered, and these are not mentioned in the price list. When ordering them, the part name and the drawing number are required. Contact your HITACHI distributor for the delivery date and price about them.