

Cabinet and Cycle

PRODUCT CODE	7E322007	7E322008	7E322009	7E322107	7E322108	7E322109
	RAS-4FSVNME	RAS-5FSVNME	RAS-6FSVNME	RAS-4FSNME	RAS-5FSNME	RAS-6FSNME

No.	DESCRIPTION	DWG No.	PART No.	Qty	Qty	Qty	Qty	Qty	Qty	REMARKS
1	Rear Cover Assy	XEK25036 A	E04144	1	1	1	1	1	1	Assembly
1-1	Handle	X17C71740 A	E01897	1	1	1	1	1	1	
1-2	H Cover	17B27407 A	P23833	1	1	1	1	1	1	
1-3	Pipe Cover B	17C86251 A	P27003	1	1	1	1	1	1	
2	Upper Cover Unit	XEK24809 A	E03947	1	1	1	1	1	1	Assembly
3	Service Cover L Assy	XEK13111 A	E06336	1						Assembly
3	Service Cover L Assy	XEK13111 B	E06337		1					Assembly
3	Service Cover L Assy	XEK13111 C	E06338			1				Assembly
3	Service Cover L Assy	XEK13111 D	E06339				1			Assembly
3	Service Cover L Assy	XEK13111 E	E06340					1		Assembly
3	Service Cover L Assy	XEK13111 F	E06341						1	Assembly
3-1	Handle	X17C71740 A	E01897	1	1	1	1	1	1	
4	S Cover B	17B36514 A	P27002	1	1	1	1	1	1	Lower Service Cover
5	Shroud S Assy	XEK26647 A	E06379	1	1	1	1	1	1	Assembly
5-1	Shroud S	XEK01718 A	E06317	1	1	1	1	1	1	Shroud
5-2	Front Protector Net	X17A17019 A	E02876	2	2	2	2	2	2	Air Outlet
5-3	Handle	X17C71740 A	E01897	1	1	1	1	1	1	
6	Clamp L Assy	XEK13110 A	E06334	1			1			Assembly
6	Clamp L Assy	XEK13110 B	E06335		1	1		1	1	Assembly
7	Fan Motor	-	E06110	2	2	2	2	2	2	
8	Propeller Fan	17A17362 B	P27001	2	2	2	2	2	2	Ø544
9	B-Base Assy	XEK26627 A	E06368	1	1	1	1	1	1	Assembly
10	Compressor	H7B02183 A	E06309	1			1			
10	Compressor	XEK12773 A	E06327		1	1		1	1	
11	C Heater	H7C05802 B	E06311	1	1	1				
11	C Heater	XEK51781 A	E06403				1	1	1	
12	Special Nut	17D49475 A	P21245	2	2	2	2	2	2	
13	Acoustical Cover 1	XEK26629 A	E06369	1	1	1	1	1	1	
14	Acoustical Cover 2 (Up	XEK26630 A	E06370	1	1	1	1	1	1	
15	Condenser Assy	XEK01722 A	E06320	1			1			
15	Condenser Assy	XEK01732 A	E06323		1	1		1	1	
15-1	Header L Assy	XEK26646 A	E06378	1			1			
15-1	Header L Assy	XEK24539 C	E06357		1	1		1	1	
15-1-1	EVO Assy	XEK26683 A	E06390	1			1			Assembly
15-1-1	EVO Assy	XEK26682 A	E06389		1	1		1	1	Assembly
15-1-1-1	Expansion Valve	17C78465 A	P26007	1	1	1	1	1	1	EVO
15-1-1-2	Strainer	17G62701 B	P25037	2	2	2	2	2	2	

Cabinet and Cycle

PRODUCT CODE	7E322007
	7E322008
	7E322009
	7E322107
	7E322108
	7E322109
	7E322109
MODEL NAME	RAS-4FSVNME
	RAS-5FSVNME
	RAS-6FSVNME
	RAS-4FSNME
	RAS-5FSNME
	RAS-6FSNME
	RAS-6FSNME

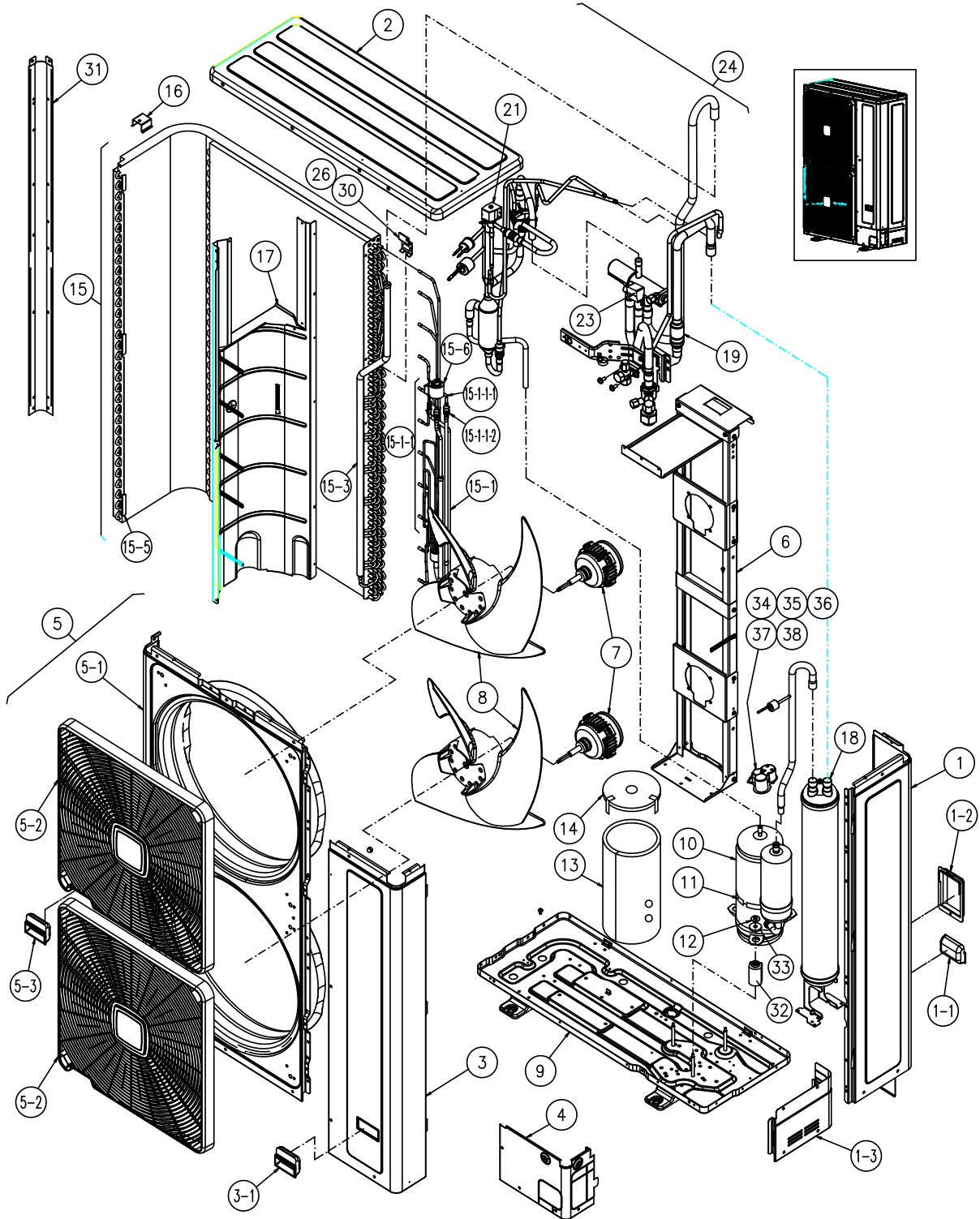
No.	DESCRIPTION	DWG No.	PART No.	Qty	Qty	Qty	Qty	Qty	Qty	REMARKS
15-3	Header G Assy	XEK26622 A	E06367	1			1			Assembly
15-3	Header G Assy	X17F05096 A	E03458		1	1		1	1	Assembly
15-5	End P Unit	X17C87812 B	E02107	1	1	1	1	1	1	
15-6	EXPV Coil	X17C78180 A	E05954	1	1	1	1	1	1	Coil for Expansion Valve
16	Stay	X17G57303 A	E02105	1	1	1	1	1	1	
17	Partition Assy	XEK26634 A	E06376	1	1	1	1	1	1	
18	Accumulator	XEK26604 A	E06360	1	1	1	1	1	1	
19	Strainer	17G55723 A	P24399	1	1	1	1	1	1	
21	Coil 20	17F18240 C	P31159	1	1	1	1	1	1	Coil for Solenoid Valve
23	Coil	17F07261 A	P29857	1	1	1	1	1	1	Coil for 4-Way Valve
24	4-Way Valve Assy	XEK26679 A	E06387	1			1			Assembly
24	4-Way Valve Assy	XEK26679 B	E06388		1	1		1	1	Assembly
24-1	Pressure SW	XEK22551 A	E03359	1	1	1	1	1	1	PSH (High)
24-2	P-Sensor	X17B46257 A	E04508	1	1	1	1	1	1	PSC (Control)
24-3	P-Sensor (S)	X17B47112 A	E06312	1	1	1	1	1	1	(S)
24-4	Solenoid Valve	17C77098 A	P25246	1	1	1	1	1	1	SVA
24-6	4 Way Valve	X17F06922 A	E05578	1	1	1	1	1	1	RVR
24-8	Stop Valve	X17F21990 A	E05829	1	1	1	1	1	1	5/8
24-9	Stop Valve	17F17387 A	P29837	1	1	1	1	1	1	3/8
24-10	Valve Stay	X17F07248 A	E03362	1	1	1	1	1	1	
24-11	Check JA	X17C75461 A	E01160	1	1	1	1	1	1	
24-12	Check Valve	17F11142 A	P29897	1	1	1	1	1	1	
24-13	OS Assy	H7C05804 A	E06440	1	1	1	1	1	1	
24-14	Strainer	17G55723 A	P24399	1	1	1	1	1	1	
24-15	Capillary	H7D11618 A	E06442	1	1	1	1	1	1	
24-16	Strainer	17G62701 B	P25037	1	1	1	1	1	1	
24-17	Capillary assy	XEK38648 A	E06443	1	1	1	1	1	1	
25	V-Stay	X17G40832 B	E03345	1	1	1	1	1	1	
26	Thermistor	17C59663 E	P23505	1	1	1	1	1	1	TA (THM7)
27	Thermistor	17B49968 A	P22521	1	1	1	1	1	1	TD (THM9)
28	Thermistor	17C59664 E	P23507	1	1	1	1	1	1	TE1 (THM10)
30	TH-Plate	XEK21470 A	E01901	1	1	1	1	1	1	For TA
31	Side Cover	XEK25862 C	E05543	1	1	1	1	1	1	
32	Rubber Grommet	XEK51993 A	E06433	3	3	3	3	3	3	
33	F-Rubber Washer	XEK51994 A	E06434	2	2	2	2	2	2	
34	Terminal Cover	XEK51995 A	E06435	1	1	1	1	1	1	
35	Gasquet	XEK51996 A	E06436	1	1	1	1	1	1	

Cabinet and Cycle

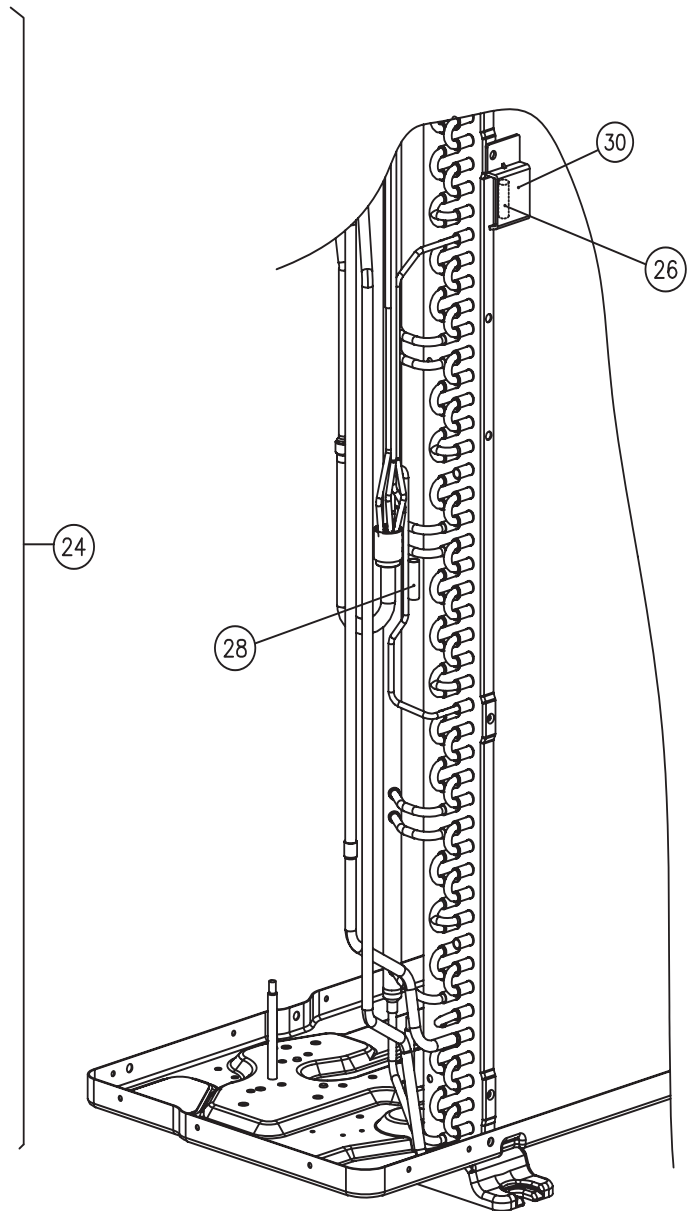
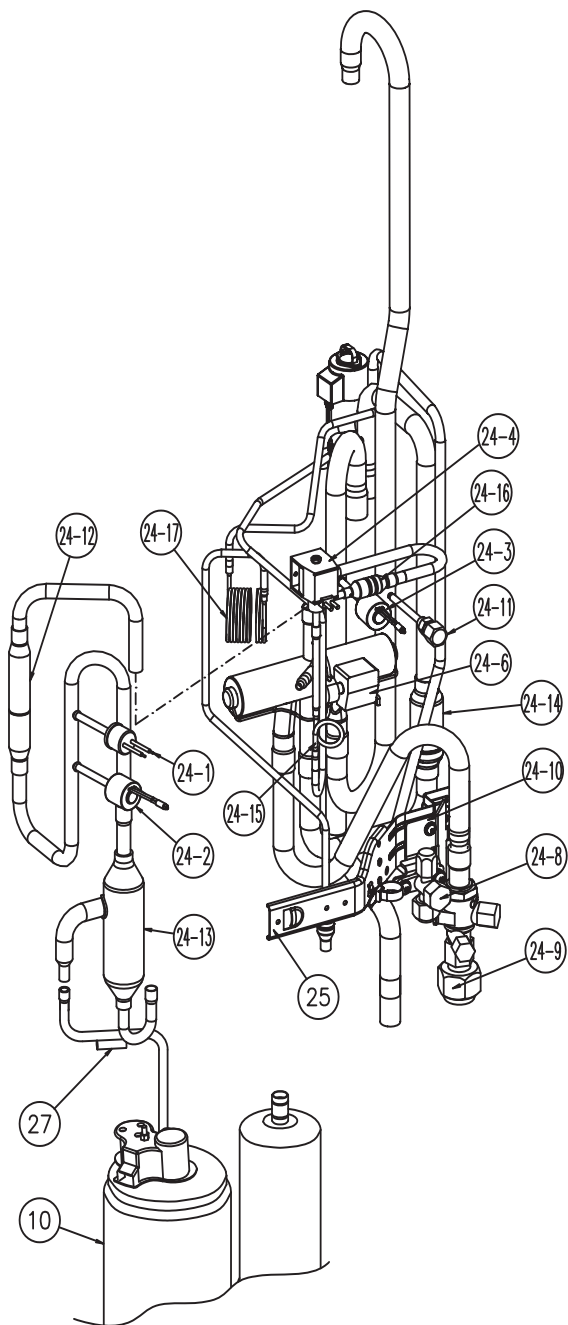
MODEL NAME	RAS-4FSVNME	7E322007
	RAS-5FSVNME	7E322008
	RAS-6FSVNME	7E322009
	RAS-4FSNME	7E322107
	RAS-5FSNME	7E322108
	RAS-6FSNME	7E322109

No.	DESCRIPTION	DWG No.	PART No.	PRODUCT CODE						REMARKS
				Qty	Qty	Qty	Qty	Qty	Qty	
36	Nut	XEK51997 A	E06437	1	1	1	1	1	1	
37	Rubber Washer	XEK51998 A	E06438	1	1	1	1	1	1	
38	Sleeve	XEK51999 A	E06439	1	1	1	1	1	1	

Cabinet and Cycle



Cabinet and Cycle



E-Box

No.	DESCRIPTION	DWG No.	PART No.	PRODUCT CODE			REMARKS
				MODEL NAME	7E322107	7E322108	
				RAS-4FSNME			
				RAS-5FSNME			
				RAS-6FSNME			
No.	DESCRIPTION	DWG No.	PART No.	Qty	Qty	Qty	REMARKS
1	Electrical Box	XEK01738 A	E06326	1	1	1	Assembly
2	EBOX PCB Unit	XEK13138 A	E06351	1	1	1	Assembly
2-1	E-BOX PCB Plate	XEK26700 A	E06392	1	1	1	Assembly
2-2	Noise Filter	XEK13132 A	E06349	1	1	1	NF
2-3	Terminal Board	XEK20967 A	E00705	1	1	1	TB
2-4	PCB Additional Work	XEK51766 A	E06401	1	1	1	PCB Assy
2-6	Holder	17G07802 A	P20985	6	6	6	
2-7	Spacer	XEK30992 B	E04603	6	6	6	for Noise Filter
3	E-BOX INV Unit	XEK13151 A	E06353	1	1	1	INV Assy
3-1	DRV180 Assy	XEK26620 A	E06226	1	1	1	
3-2	PLATE INV ASSY	XEK26699 A	E06391	1	1	1	
4	E-BOX PO121 Aux unit	XEK13140 A	E06352	1	1	1	
4-1	E-BOX PO121 Aux Plate	XEK26701 A	E06393	1	1	1	
4-2	Reactor Unit	17H32793 B	P31332	1	1	1	
4-3	PO121 Assy	X17B44179 A	E06308	1	1	1	
4-4	Spacer	XEK30992 B	E04603	10	10	10	
5	E-BOX Upper Support	XEK51785 A	E06406	1	1	1	

E-Box

