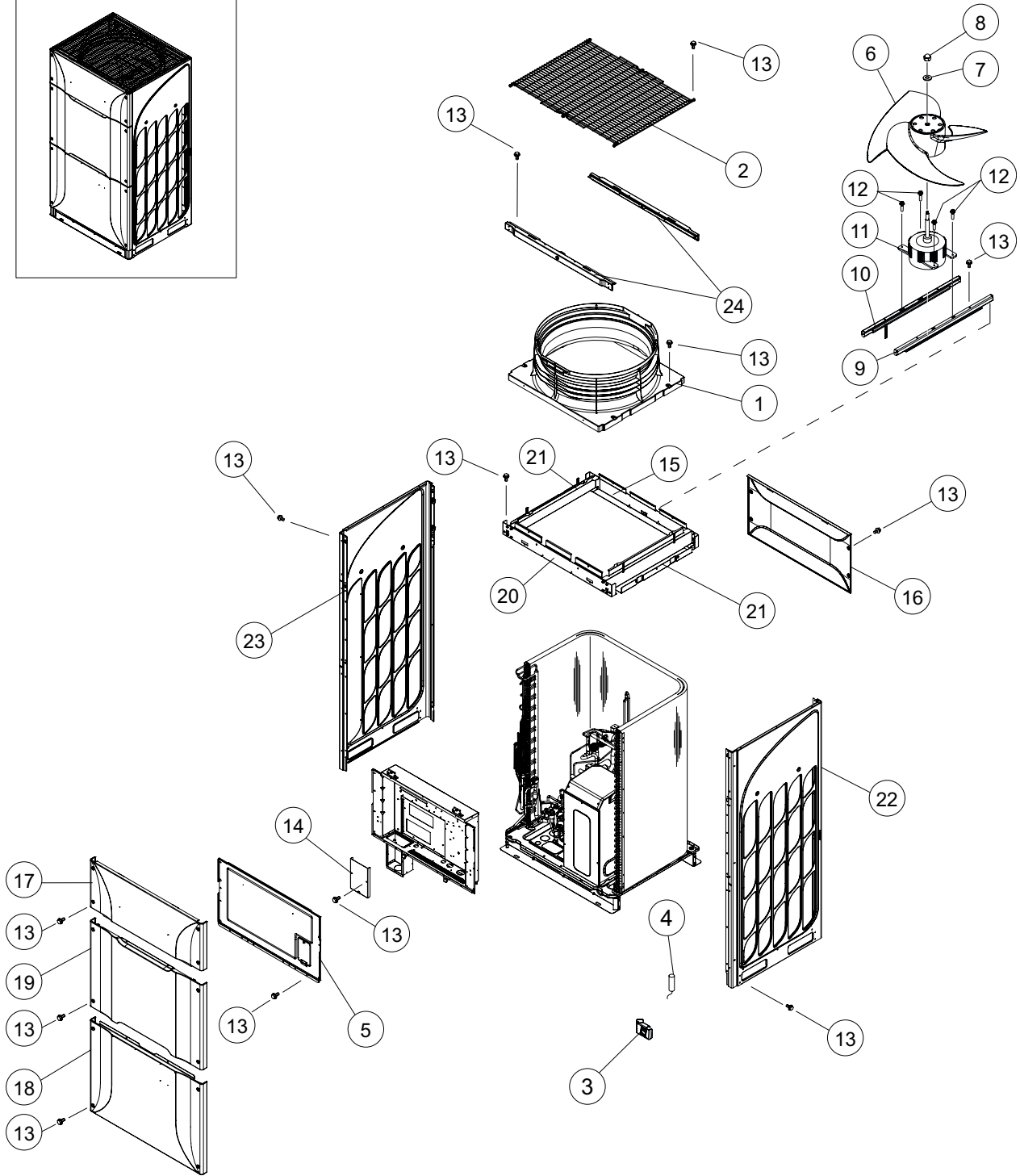
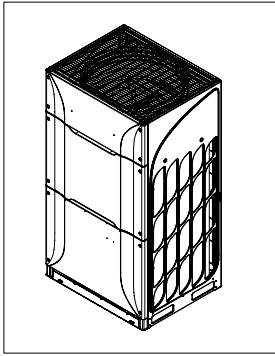


## Cabinet and Fan

MODEL NAME	PRODUCT CODE
RAS-5FSXNPE, 3~400V 50 HZ	7E334308
RAS-6FSXNPE, 3~400V 50 HZ	7E334309

No.	DESCRIPTION	DWG No.	PART No.	Qty	Qty	REMARKS
1	Upper Cover	H7A03857 A		1	1	
2	Protector Net	H7D09774 A		1	1	
3	Thermistor Case	H7D10705 A		1	1	for Ta Thermistor
4	Thermistor	17C59663 A	P22520	1	1	THM7: for Ambient (Ta)
5	Electrical Box Cover Assy	XEK26209 A	E05573	1	1	
6	Propeller Fan	X17A21604 A	E05575	1	1	Ø644
7	Washer	17E08525 E	P23249	1	1	SUS
8	Closing Nut	17D50034 D	P23248	1	1	SUS, M10
9	Motor Clamp	H7C05624 A		1	1	
10	Motor Clamp	H7D10935 A		1	1	
11	Fan Motor	17A26828 A	P31319	1	1	MOF1: L-HJ-750-E4-1
12	M6 SUS Screw	X17D30320 H	E03097	4	4	for Fan Motor
13	Special Screw	17H12637 A	P25678	80	80	
14	TB Box Cover	XEK50624 A	E05576	1	1	
15	Back Middle Frame Stay	H7C05610 A		1	1	
16	Back Upper Cover	H7B04764 A		1	1	
17	Front Cover 1	H7B04755 A		1	1	Front Upper cover
18	Front Cover 2 Assy	XEK51245 A	E05580	1	1	Front Bottom cover
19	Front Cover 3	H7B04758 A		1	1	Front Center cover
20	Front Middle Frame Stay	H7C05609 A		1	1	
21	Middle Frame Stay	H7D10936 A		2	2	Right / Left side
22	Side Cover R Assy	XEK26476 A	E05585	1	1	
23	Side Cover L Assy	XEK26477 A	E05584	1	1	
24	Upper Frame	H7C05617 A		2	2	Front / Back side

Cabinet and Fan



A	Truss Head Tapping Screw		F	Stud Bolt	
B	Round Head Screw		G	Nut	
C	Flat Head Screw		H	Washer	
D	Pan Head Tapping Screw		J	Spring Lock Washer	
E	Hexagon Head Bolt		K	Toothed Lock Washer	

**NOTE:**  
The unchromated coating is applied to iron and steel material for the unspecified materials of the bolt and screw.

## Refrigerant Cycle

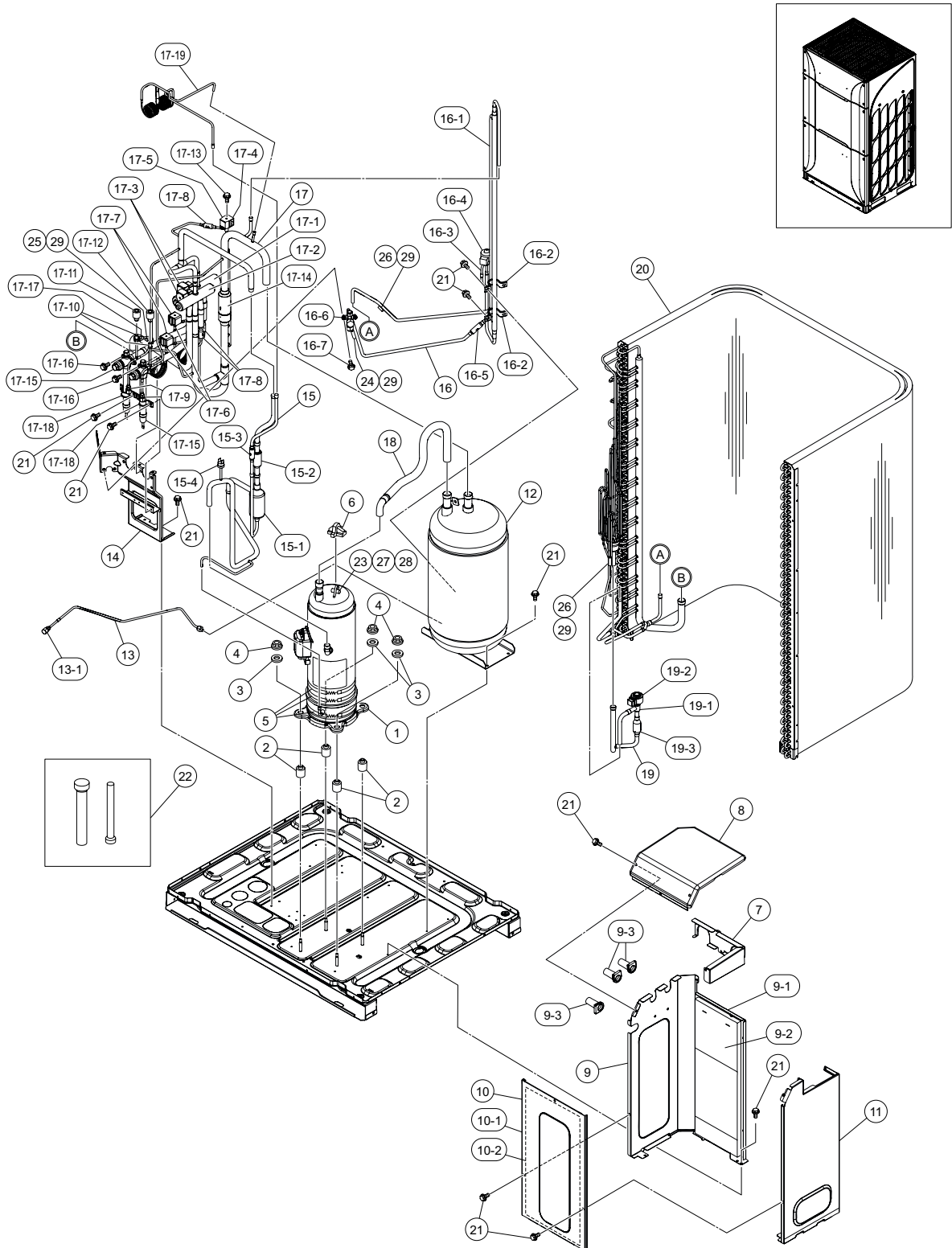
No.	DESCRIPTION	DWG No.	PART No.	MODEL NAME		REMARKS
				RAS-5FSXNPE, 3~ 400V 50HZ	RAS-6FSXNPE, 3~ 400V 50HZ	
				PRODUCT CODE	7E334308	
				PRODUCT CODE	7E334309	
No.	DESCRIPTION	DWG No.	PART No.	Qty	Qty	REMARKS
1	INV Compressor	17F20906 A	06950224	1	1	MC1: AA50PHD-D2YE2
2	Vibration Absorber	17D21147 B	P28639	4	4	
3	Vibration Absorber	X17D21207 A	E00699	3	3	
4	Nut	17D49475 A	P21245	3	3	
5	Crankcase Heater	17B48790 A	P31323	3	3	CH1: 37.3W, Belt Heater
6	Rubber Cap	17B29767 A	P24397	1	1	
7	C-Cover	XEK26147 A	E06122	1	1	
8	C-Cover	XEK51248 A	E06120	1	1	
9	C-Cover Assy	XEK50847 A	E05741	1	1	
9-1	C-Cover Assy	XEK50768 A	E06118	1	1	
9-2	Sound Proof Sheet	XEK51163 A	E05620	1	1	
9-3	Rubber Bush	17H33253 A	P31359	3	3	
10	C-Cover Assy	XEK50873 B	E05742	1	1	
10-1	C-Cover	XEK51464 A	E06125	1	1	
10-2	Sound Proof Sheet	XEK51164 A	E05622	1	1	
11	C-Cover Assy	XEK50769 A	E05769	1	1	
12	Accumulator	XEK12889 A	E05623	1	1	
13	Oil Pipe Assy	XEK50833 A	E05761	1	1	
13-1	Check Joint	17C75461 D	P29350	1	1	
14	V Stay Assy	17H30618 A		1	1	
15	D-Pipe Assy	XEK12908 A	E05626	1	1	
15-1	Oil Separator	X17F19258 A	E05633	1	1	
15-2	Check Valve	17F18046 A	P31065	1	1	
15-3	Strainer	17D55178 A	P16943	1	1	
15-4	Pressure Switch	XEK22551 A	E03359	1	1	PSH1: ACB-1UB34
16	L-Pipe Assy	XEK12914 A	E05628	1	1	
16-1	Double Pipe	XEK50748 A	E05629	1	1	
16-2	Band	17G00129 F	R5094	2	2	
16-3	Expansion Valve	X17F05654 A	E05577	1	1	MVB: UKV-25D174 without Coil
16-4	EXPV. Coil	X17C78180 C	E01369	1	1	MVB: UKV-A035
16-5	Strainer	17D55178 A	P16943	1	1	
16-6	Check Valve	17F17387 A	P29837	1	1	OD: 3/8
16-7	Special Screw	X17D30320 F	E05571	2	2	SUS, M6
17	Reversing Valve Assy	XEK12940 A	E05763	1	1	
17-1	Reversing Valve	X17F06923 A	E05579	1	1	RVR1: STF-H0712 without Coil
17-2	Reversing Valve	X17F06922 A	E05578	1	1	RVR2: STF-H0404 without Coil
17-3	Coil	X17F06925 A	E05581	2	2	RVR1, 2: STF-H01AI1870A1
17-4	Solenoid Valve	17F14670 A	P31176	1	1	SVA: FDF5A11 without Coil
17-5	Coil	17F14671 D	P31180	1	1	SVA: FQ-A0522G-001332
17-6	Solenoid Valve	17F13308 A	P30165	2	2	SVG: TEV-S without Coil

Refrigerant Cycle

MODEL NAME	PRODUCT CODE
	7E334308
RAS-5FSXNPE, 3~ 400V 50HZ	
RAS-6FSXNPE, 3~ 400V 50HZ	

No.	DESCRIPTION	DWG No.	PART No.	Qty	Qty	REMARKS
17-7	Coil	17F13309 D	P30169	2	2	SVG: TEV-SM0AJ2066A1
17-8	Strainer	17G62701 A	P25036	1	1	
17-9	Check Joint	17C75461 D	P29350	3	3	
17-10	PGC Joint	17C93010 B	P27887	2	2	
17-11	Pressure Sensor (D)	X17B46255 A	E05572	1	1	PD: NSK-BH050F-417
17-12	Pressure Sensor (S)	X17B46256 A	E05574	1	1	PS: NSK-BH020F-417
17-13	Screw	17H32504 A	P31227	1	1	for Solenoid Valve
17-14	Strainer	17G87733 B	P28508	1	1	
17-15	Service Valve	17F09233 A	P29260	2	2	OD: 7/8
17-16	Special Screw	X17D30320 F	E05571	2	2	SUS, M6
17-17	Check Joint	X17C75461 C	E03124	1	1	
17-18	Band	17G00129 H		2	2	
17-19	Oil Return Pipe Assy	X17F19357 A	E05634	1	1	
18	S-Pipe Assy	X17H30234 A	E05637	1	1	
19	Expansion Valve Assy	X17H29892 A	E05639	1	1	
19-1	Expansion Valve	17F07288 B	P29262	1	1	MV1: PAM-BBOYGHS-1 without Coil
19-2	EXPV. Coil	17F07287 A	P29263	1	1	MV1: PAM-MD12HS-7
19-3	Strainer	17G62700 A	P25041	1	1	
20	Heat Exchanger	XEK12981 A	E05640	1	1	
21	Special Screw	17H12637 A	P25678	22	22	
22	Accessory Pipe Assy	XEK51148 D	E05762		1	
		XEK51148 C	E05721	1		
23	Thermistor	17B24597 A	P22521	1	1	TD1,THM8
24	Thermistor	17C59664 A	P22523	1	1	for Pipe Temperature, TCHG, THM17
25	Thermistor	17C59664 E	P23507	1	1	for Pipe Temperature, TG, THM12
26	Thermistor	17C59664 E	P23507	2	2	for Pipe Temperature, TE1 & TSC, THM10 & THM23
27	TH Plate	X17D82987 A	E05644	1	1	
28	TH Plate	X17D40794 A	E05645	1	1	
29	TH Plate	X17D49473 A	E05646	4	4	

Refrigerant Cycle



A	Truss Head Tapping Screw		F	Stud Bolt	
B	Round Head Screw		G	Nut	
C	Flat Head Screw		H	Washer	
D	Pan Head Tapping Screw		J	Spring Lock Washer	
E	Hexagon Head Bolt		K	Toothed Lock Washer	

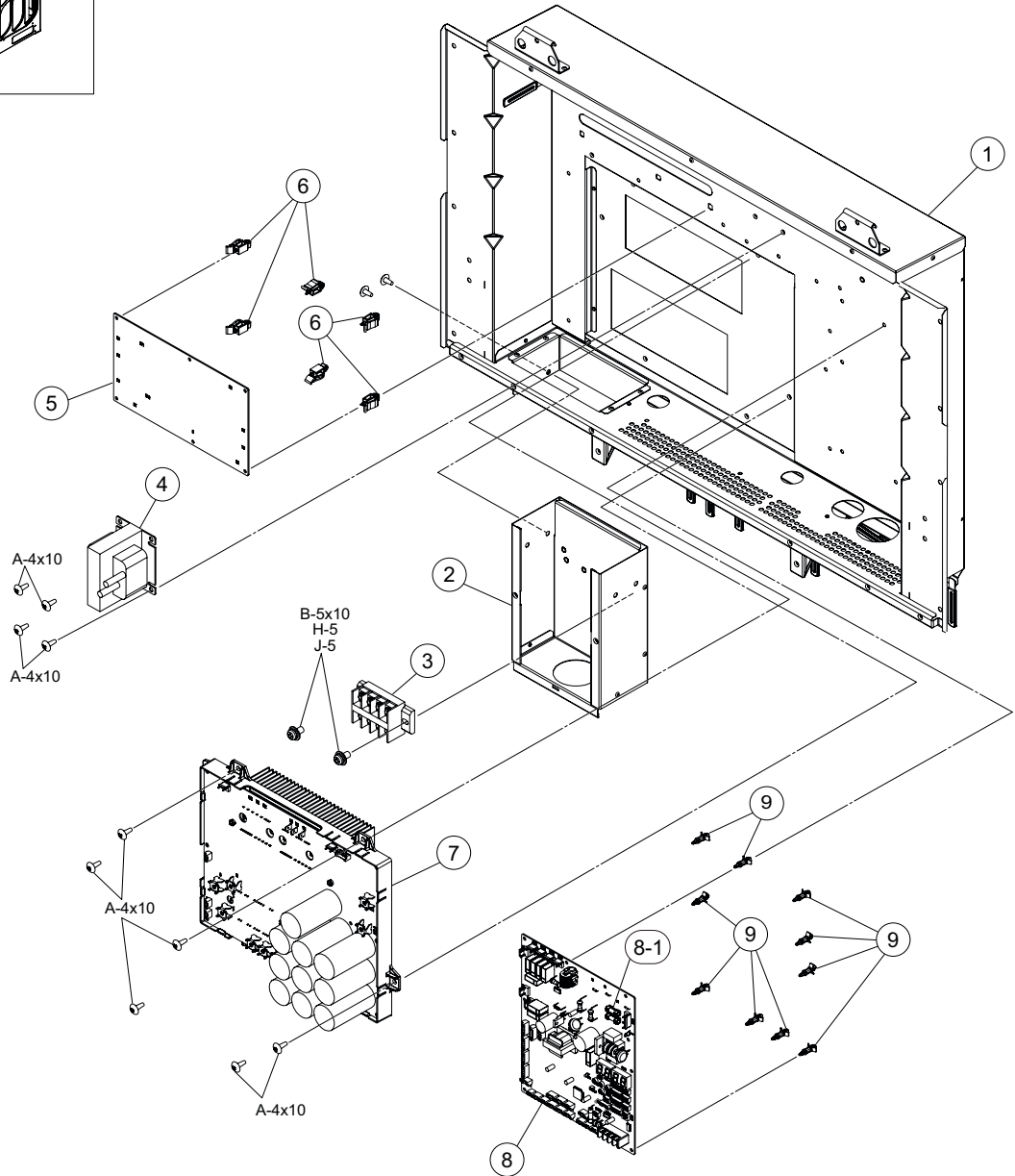
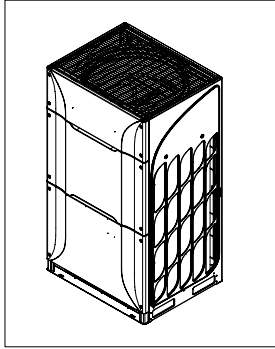
**NOTE:**  
The unicomated coating is applied to iron and steel material for the unspecified materials of the bolt and screw

Electrical Parts

MODEL NAME	RAS-5FSXNPE, 3~ 400V 50Hz	PRODUCT CODE	7E334308
	RAS-6FSXNPE, 3~ 400V 50Hz	PRODUCT CODE	7E334309

No.	DESCRIPTION	DWG No.	PART No.	Qty	Qty	REMARKS
1	Electrical Box	XEK12917 A	E05714	1	1	
2	TB Box	XEK50752 A	E05715	1	1	
3	Terminal Block	XEK34375 A	E02519	1	1	TB1: 600V, 50A
4	Reactor	17H32793 A	P31331	1	1	DCL1: 1.0mH, 35A
5	Noise Filter	17A26887 B	P31277	1	1	NF1: NF161, Power fuses (PF 50A)
6	Holder	17G07802 A	P20985	6	6	Noise Filter Holder
7	Inverter Fin	17F21278 E	P31272	1	1	INV1: PV161, 19.5A, Smoothing Capacitor (8000µF)
8	Control PCB	17B47250 B	P31267	1	1	PCB1: PO151
8-1	Fuse	17C90851 A	P27957	2	2	EFR1, EFS1: AC250V, 5A
9	Spacer	XEK30992 C	E03165	10	10	PCB Holder

Electrical Parts



A	Truss Head Tapping Screw		F	Stud Bolt	
B	Round Head Screw		G	Nut	
C	Flat Head Screw		H	Washer	
D	Pan Head Tapping Screw		J	Spring Lock Washer	
E	Hexagon Head Bolt		K	Toothed Lock Washer	

**NOTE:**  
The unchromated coating is applied to iron and steel material for the unspecified materials of the bolt and screw.