

Cabinet and Cycle

No.	DESCRIPTION	DWG No.	PART No.	PRODUCT CODE			REMARKS
				MODEL NAME	7E322110	7E322111	
1	Rear Cover Assy	XEK26649 A	E06381	1	1	1	Assembly
1-1	Handle	X17C71740 A	E01897	1	1	1	
1-2	H Cover	17B27407 A	P23833	1	1	1	
1-3	Service Cover Bottom 2	XEK26584 A	E06359	1	1	1	
2	Upper Cover Unit	XEK26665 A	E06386	1	1	1	Assembly
3	Service Cover XL Assy	XEK26651 A	E06382	1			Assembly
3	Service Cover XL Assy	XEK26651 B	E06383		1		Assembly
3	Service Cover XL Assy	XEK26651 C	E06384			1	Assembly
3-1	Handle	X17C71740 A	E01897	1	1	1	
4	S Cover Bottom 1	XEK13076 A	E06328	1	1	1	Lower Service Cover
5	Shroud XL Assy	XEK26648 A	E06380	1	1	1	Assembly
5-1	Shroud XL	XEK01709 A	E06316	1	1	1	Shroud
5-2	Front Protector Net	X17A17019 A	E02876	2	2	2	Air Outlet
5-3	Handle	X17C71740 A	E01897	2	2	2	
6	Clamp XL Assy	XEK13109 A	E06332	1			Assembly
6	Clamp XL Assy	XEK13109 B	E06333		1	1	Assembly
7	Fan Motor	XEK13092 A	E06330	2	2	2	220W
8	Propeller Fan	XEK13188 A	E06356	2	2	2	Ø544
9	B-Base Assy	XEK26663 A	E06385	1	1	1	Assembly
10	Compressor	17F20906 A	06950224	1			
10	Compressor	17F20907 A	06954644		1		
10	Compressor	17F20908 A	06964624			1	
11	C Heater	17B48790 A	P31323	1			
11	C Heater	17B48790 C	P31325		1	1	
12	Special Nut	17D49475 A	P21245	3	3	3	
13	Acoustical Cover 1	XEK26632 A	E06371	1			
13	Acoustical Cover 1	XEK26632 B	E06372		1	1	
14	Acoustical Cover 2 (Up	XEK26633 A	E06373	1			
14	Acoustical Cover 2 (Up	XEK26633 B	E06374		1		
14	Acoustical Cover 2 (Up	XEK26633 C	E06375			1	
15	Condenser Assy	XEK01720 A	E06318	1			
15	Condenser Unit	XEK01721 A	E06319		1	1	
15-1	Header L Upper	X17C85461 A	E06313	1			
15-1	Header L Upper	XEK26858 A	E06397		1	1	
15-2	Header L Down	XEK26606 A	E06362	1			Assembly
15-2	Header L Down	XEK26608 A	E06364		1	1	Assembly
15-3	Header G Up Assy	XEK26607 A	E06363	1			Assembly

Cabinet and Cycle

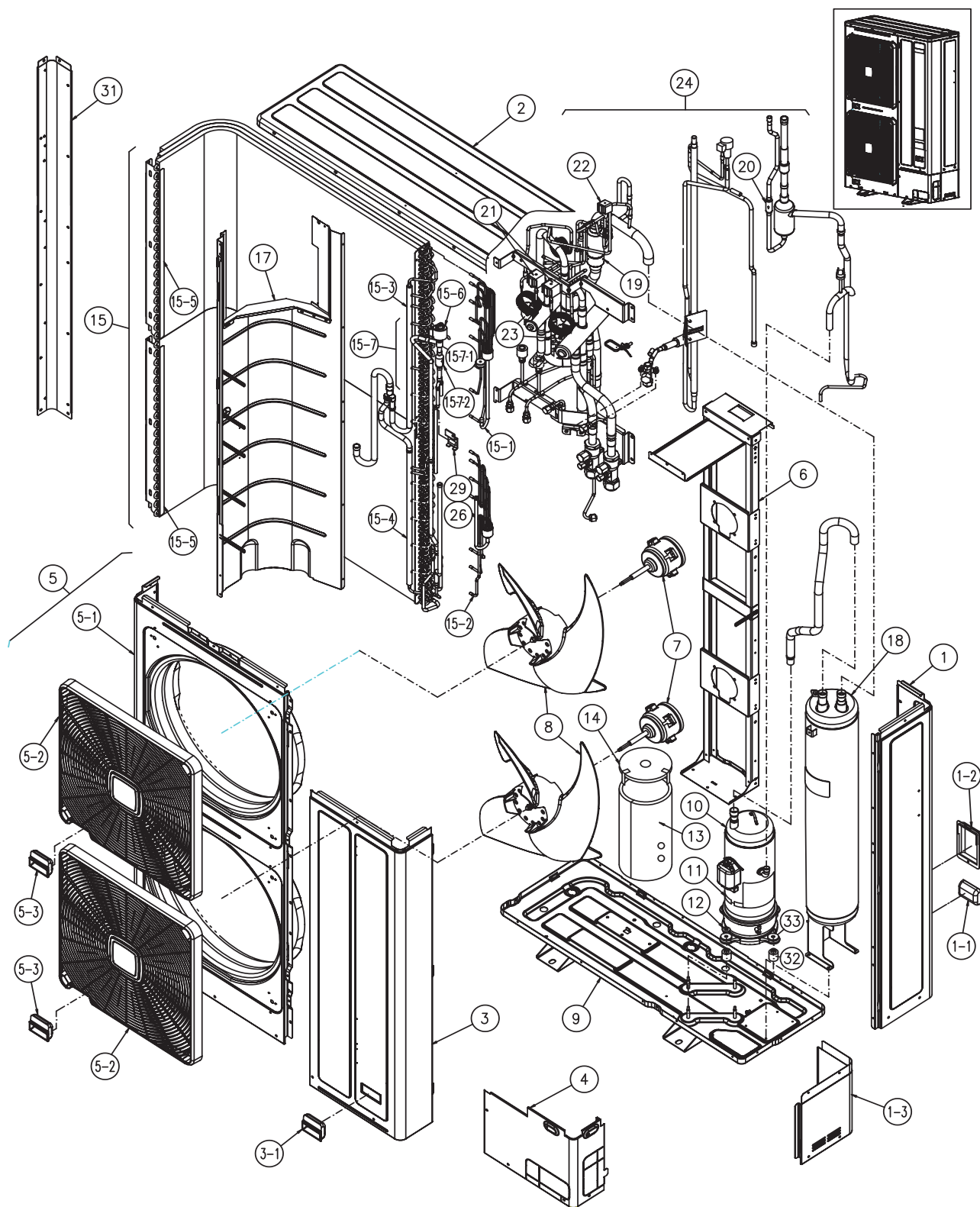
No.	DESCRIPTION	DWG No.	PART No.	PRODUCT CODE			REMARKS
				MODEL NAME	7E322110	7E322111	
15-3	Header G Up Assy	XEK26612 A	E06365		1	1	Assembly
15-4	Header G Down Assy	XEK26605 A	E06361	1			Assembly
15-4	Header G Down Assy	XEK26613 A	E06366		1	1	Assembly
15-5	End P Unit	X17C85696 A	E06314	2			
15-5	End P Unit	X17F12125 A	E06315		2	2	
15-6	EXPV Coil	X17C78180 C	E01369	1	1	1	Coil for Expansion Valve
15-6	EXPV Coil	17F07287 A	P29263	1	1	1	Coil for Expansion Valve
15-7	EVO Assy	XEK51536 A	E06398	1	1	1	Assembly
15-7-1	Expansion Valve	17F07288 B	P29262	1	1	1	EVO
15-7-2	Strainer	17G62700 A	P25041	1	1	1	
17	Partition XL Assy	XEK26636 A	E06377	1	1	1	
18	Accumulator	XEK26579 A	E06358	1	1	1	
19	Strainer	17G87733 B	P28508	1	1	1	
20	Strainer	17D55178 A	P16943	1	1	1	
21	Coil 20	17F13309 D	P30169	2	2	2	Coil for Solenoid Valve
22	Coil 20	17F14671 D	P31180	1	1	1	Coil for Solenoid Valve
23	Coil	X17F06925 A	E05581	2	2	2	Coil for 4-Way Valve
24	4-Way Valve Assy	XEK13123 A	E06343	1			Assembly
24	4-Way Valve Assy	XEK13123 B	E06344		1		Assembly
24	4-Way Valve Assy	XEK13124 A	E06345			1	Assembly
24-1	Pressure SW	XEK22551 A	E03359	1	1	1	PSH (High)
24-2	P-Sensor	XEK26614 A	E06235	1	1	1	PSC (Control)
24-3	P-Sensor (S)	XEK26615 A	E06236	1	1	1	(S)
24-4	Solenoid Valve	17F13308 A	P30165	2	2	2	SVA
24-5	Solenoid Valve	17F14670 A	P31176	1	1	1	SVA
24-6	4 Way Valve	X17F06922 A	E05578	1	1	1	RVR
24-7	4 Way Valve	X17F06923 A	E05579	1	1	1	RVR
24-8	Stop Valve	17C90090 B	P27534	1	1	1	1-1/16
24-9	Stop Valve	17F17387 A	P29837	1	1	1	3/8
24-10	Valve Stay	XEK51784 A	E06405	1	1	1	
24-11	Check JA	17C75461 B	P25044	2	2	2	
24-12	Check Valve	17F18046 A	P31065	1	1	1	
24-13	Strainer	17D55178 A	P16943	1	1	1	
24-14	OS Assy	XEK26624 A	E06441	1	1	1	
24-15	Strainer	17G87733 B	P28508	1	1	1	
24-16	Capillary unit	X17H29059 A	E06444	2		1	
24-16	Capillary unit	X17H29058 A	E06445		2		

Cabinet and Cycle

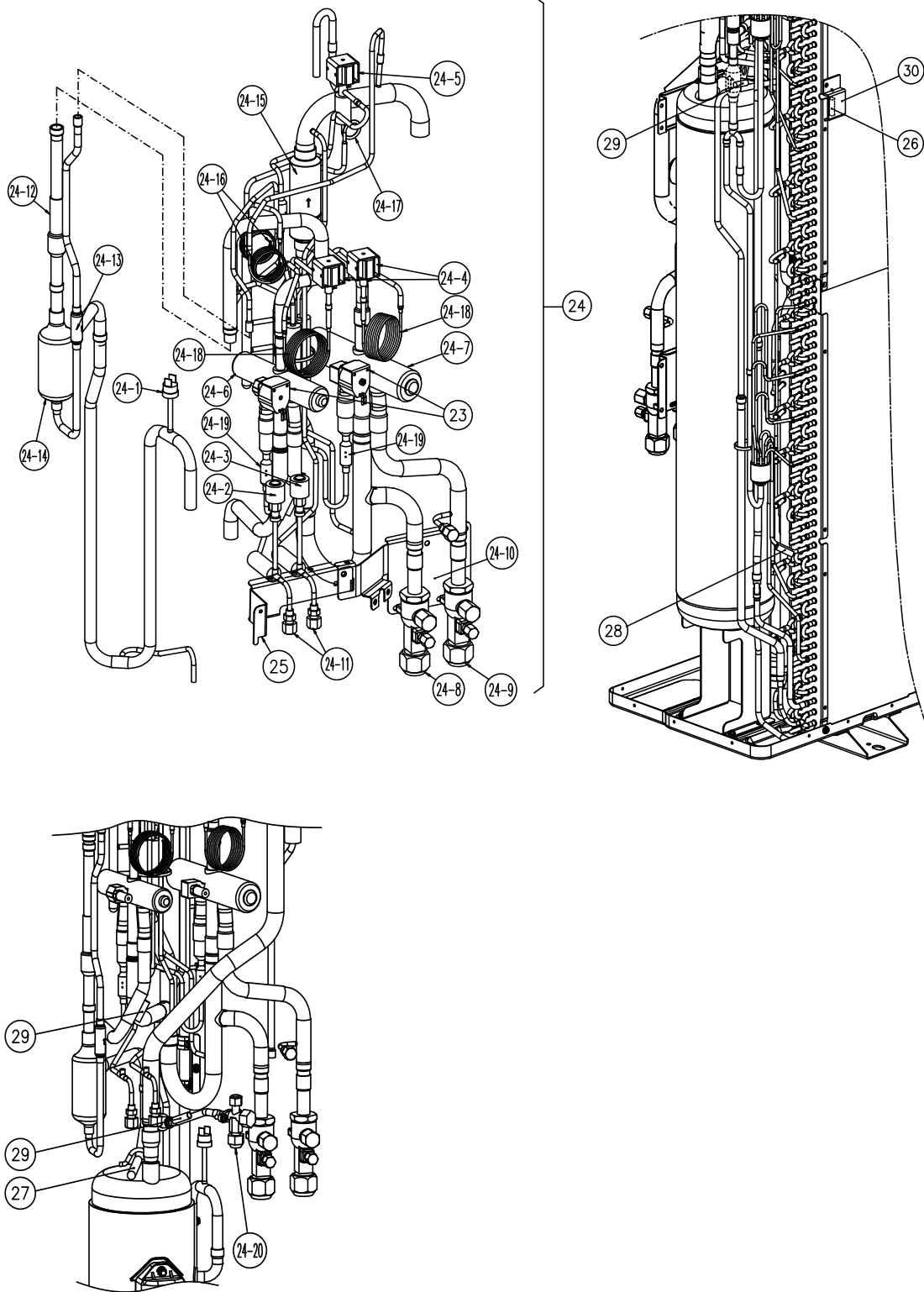
MODEL NAME	RAS-8FSXNME	7E322110
	RAS-10FSXNME	7E322111
	RAS-12FSXNME	7E322112

No.	DESCRIPTION	DWG No.	PART No.	Qty	Qty	Qty	REMARKS
24-17	Capillary	XEK51576 A	E06446	1	1	1	
24-18	Capillary unit	X17H07549 A	E06447	2	2	2	
24-19	Strainer	17G62701 A	P25036	2	2	2	
24-20	S Valve 3/8	17F17387 A	P29837	1	1	1	
25	V-Stay	XEK13097 A	E06331	1	1	1	
26	Thermistor	17C59663 A	P22520	1	1	1	TA (THM7)
27	Thermistor	17B49968 K	P23508	1	1	1	TD1 (THM8)
28	Thermistor	X17C59664 A	E01420	1	1	1	TE (THM8)
29	Thermistor	17C59664 D	P23504	3	3	3	TSC (TH23), TG(TH12),TCHG(TH17)
30	TH-Plate	XEK21470 A	E01901	1	1	1	TA
31	Side Cover	XEK5862 D	E06432	1	1	1	
32	V-P Rubber 1	17D21147 B	P28639	4	4	4	
33	V-P Rubber 2	17D21207 A	P13109	3	3	3	

Cabinet and Cycle



Cabinet and Cycle



E-Box

No.	DESCRIPTION	DWG No.	PART No.	PRODUCT CODE			REMARKS
				MODEL NAME	Qty	Qty	
				RAS-8FSXNME	7E322110		
				RAS-10FSXNME	7E322111		
				RAS-12FSXNME	7E322112		
1	Electrical Box	XEK01733 A	E06324	1			Assembly
1	Electrical Box	XEK01733 B	E06325		1	1	Assembly
2	EBOX PCB Unit	XEK13134 A	E06350	1	1	1	Assembly
2-1	E-Box PCB Sub-Assy	XEK51942 A	E06408	1	1	1	Assembly
2-2	NF 161 Assy	17A26887 B	P31277	1	1	1	NF
2-3	Terminal Board	XEK34375 A	E02519	1	1	1	TB
2-4	PCB Additional Work	XEK51767 A	E06402	1	1	1	PCB Assy
2-5	Reactor Unit	17H32793 B	P31332	1	1	1	
2-6	Holder	17G07802 A	P20985	6	6	6	
2-7	Spacer	XEK30992 B	E04603	10	10	10	for Noise Filter
3	E-BOX INV Unit	XEK13152 A	E06354	1			INV Assy
3	E-BOX INV Unit	XEK13152 B	E06355		1	1	INV Assy
3-1	161Fin Assy	17F21278 G	P31274	1			
3-1	161Fin Assy	17F21278 H	P31275		1	1	
3-2	E-Box INV SubAssy	XEK26704 A	E06395	1			
3-2	E-Box INV SubAssy	XEK26704 A	E06395		1	1	
3-3	Insulation	XEK26703 A	E06394	1	1	1	
4	NF Cover Assy	XEK26753 A	E06396	1	1	1	
5	E-BOX Upper Support	XEK51782 A	E06404	1	1	1	

E-Box

