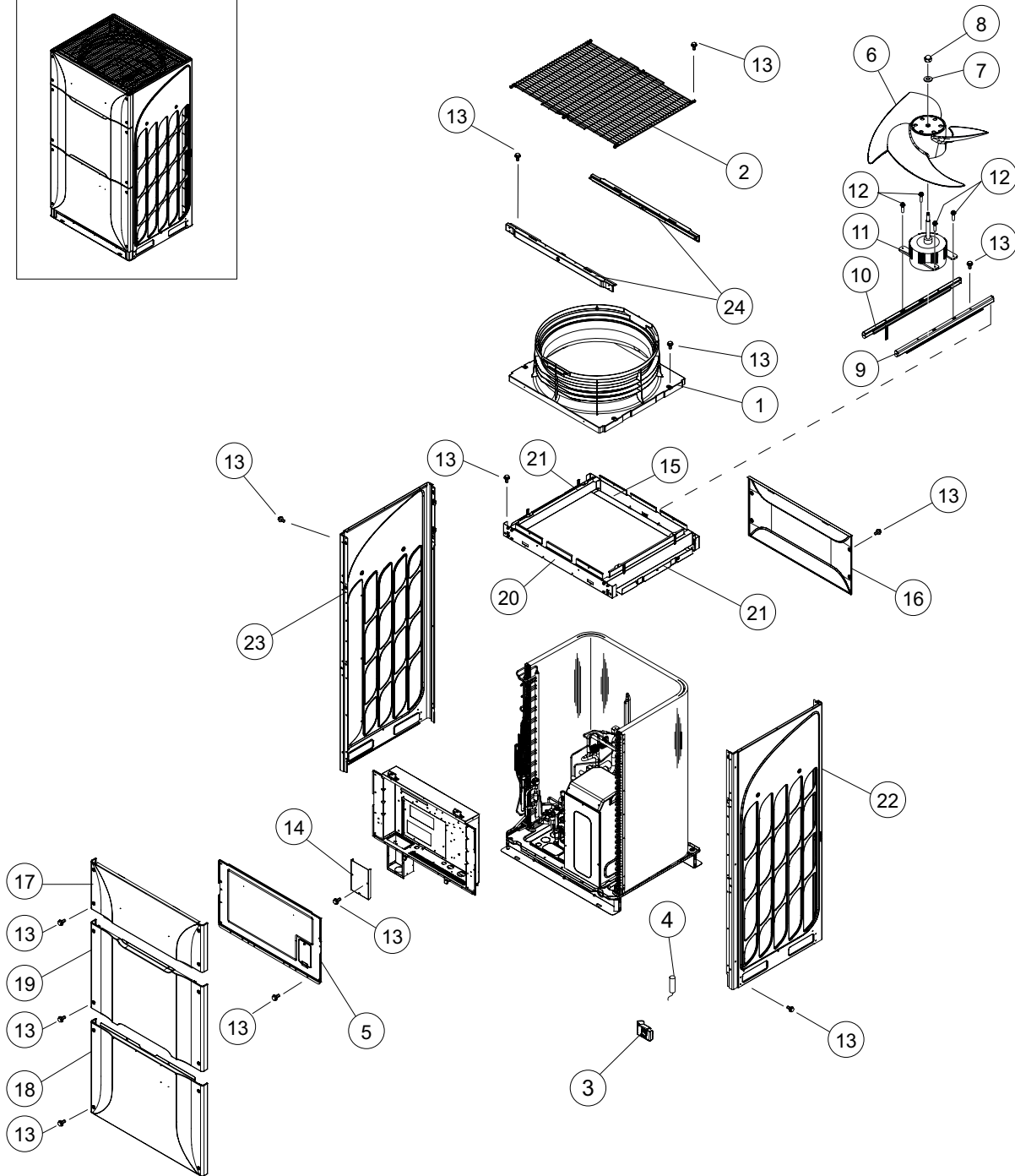
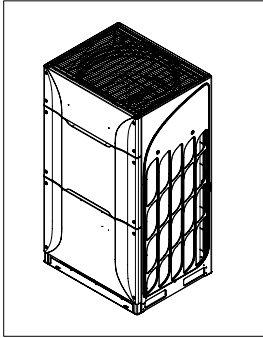


Cabinet and Fan

MODEL NAME	PRODUCT CODE
RAS-8FSXNSE, 3~400V 50 HZ	7E334210
RAS-10FSXNSE, 3~400V 50 HZ	7E334211
RAS-12FSXNSE, 3~400V 50 HZ	7E334212

No.	DESCRIPTION	DWG No.	PART No.	Qty	Qty	Qty	REMARKS
1	Upper Cover	H7A03857 A		1	1	1	
2	Protector Net	H7D09774 A		1	1	1	
3	Thermistor Case	H7D10705 A		1	1	1	for Ta Thermistor
4	Thermistor	17C59663 A	P22520	1	1	1	THM7: for Ambient (Ta)
5	Electrical Box Cover Assy	XEK26209 A	E05573	1	1	1	
6	Propeller Fan	X17A21604 A	E05575	1	1	1	Ø644
7	Washer	17E08525 E	P23249	1	1	1	SUS
8	Closing Nut	17D50034 D	P23248	1	1	1	SUS, M10
9	Motor Clamp	H7C05624 A		1	1	1	
10	Motor Clamp Assy	H7D10935 A		1	1	1	
11	Fan Motor	17A26828 A	P31319	1	1	1	MOF1: L-HJ-750-E4-1
12	M6 SUS Screw	X17D30320 H	E03097	4	4	4	for Fan Motor
13	Special Screw	17H12637 A	P25678	80	80	80	
14	TB Box Cover	XEK50624 A	E05576	1	1	1	
15	Back Middle Frame Stay	H7C05610 A		1	1	1	
16	Back Upper Cover	H7B04764 A		1	1	1	
17	Front Cover 1	H7B04755 A		1	1	1	Front Upper cover
18	Front Cover 2 Assy	XEK51245 A	E05580	1	1	1	Front Bottom cover
19	Front Cover 3	H7B04758 A		1	1	1	Front Center cover
20	Front Middle Frame Stay	H7C05609 A		1	1	1	
21	Middle Frame Stay	H7D10936 A		2	2	2	Right / Left side
22	Side Cover R Assy	XEK26476 A	E05585	1	1	1	
23	Side Cover L Assy	XEK26477 A	E05584	1	1	1	
24	Upper Frame	H7C05617 A		2	2	2	Front / Back side

Cabinet and Fan



A	Truss Head Tapping Screw		F	Stud Bolt	
B	Round Head Screw		G	Nut	
C	Flat Head Screw		H	Washer	
D	Pan Head Tapping Screw		J	Spring Lock Washer	
E	Hexagon Head Bolt		K	Toothed Lock Washer	

NOTE:

The unchromated coating is applied to iron and steel material for the unspecified materials of the bolt and screw.

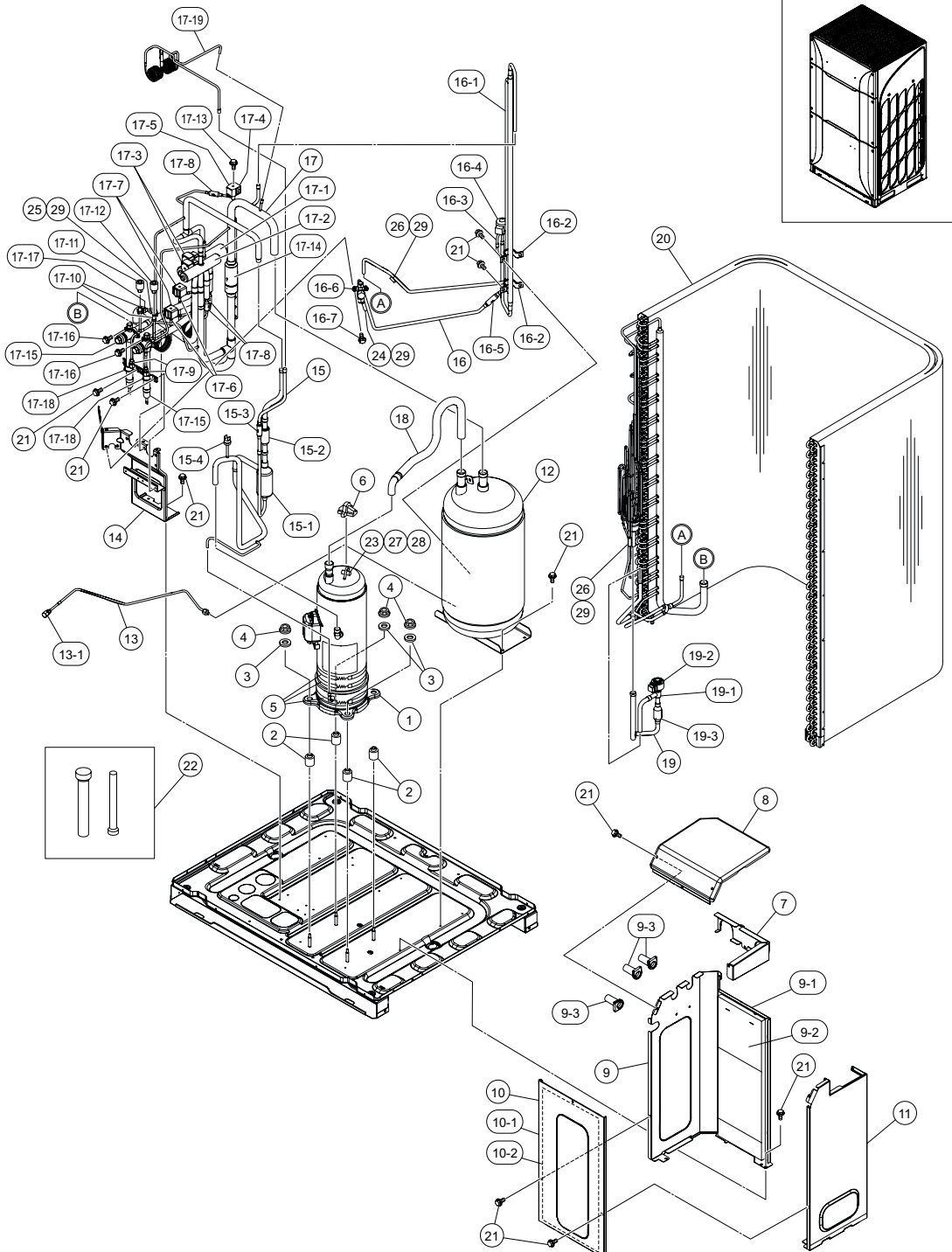
Refrigerant Cycle

No.	DESCRIPTION	DWG No.	PART No.	MODEL NAME			REMARKS
				PRODUCT CODE	MODEL NAME	PRODUCT CODE	
1	INV Compressor	17F20906 A	06950224	1	1		MC1: AA50PHD-D2YE2
		17F20908 A	6964624			1	MC1: DC80PHD-D2YE2
2	Vibration Absorber	17D21147 B	P28639	4	4	4	
3	Vibration Absorber	X17D21207 A	E00699	3	3	3	
4	Nut	17D49475 A	P21245	3	3	3	
5	Crankcase Heater	17B48790 A	P31323	3	3		CH1: 37.3W, Belt Heater
		17B48790 C	P31325			3	CH1: 37.3W, Belt Heater
6	Rubber Cap	17B29767 A	P24397	1	1	1	
7	C-Cover	XEK26147 A	E06122	1	1	1	
8	C-Cover	XEK51248 A	E06120	1	1	1	
9	C-Cover Assy	XEK50847 A	E05741	1	1	1	
9-1	C-Cover Assy	XEK50768 A	E06118	1	1	1	
9-2	Sound Proof Sheet	XEK51163 A	E05620	1	1	1	
9-3	Rubber Bush	17H33253 A	P31359	3	3	3	
10	C-Cover Assy	XEK50873 B	E05742	1	1	1	
10-1	C-Cover	XEK51464 A	E06125	1	1	1	
10-2	Sound Proof Sheet	XEK51164 A	E05622	1	1	1	
11	C-Cover Assy	XEK50769 A	E05769	1	1	1	
12	Accumulator	XEK12889 A	E05623	1	1	1	
13	Oil Pipe Assy	XEK50833 A	E05761	1	1	1	
13-1	Check Joint	17C75461 D	P29350	1	1	1	
14	V Stay Assy	17H30618 A		1	1	1	
15	D-Pipe Assy	XEK12908 A	E05626	1	1		
		XEK12909 A	E05627			1	
15-1	Oil Separator	X17F19258 A	E05633	1	1	1	
15-2	Check Valve	17F18046 A	P31065	1	1	1	
15-3	Strainer	17D55178 A	P16943	1	1	1	
15-4	Pressure Switch	XEK22551 A	E03359	1	1	1	PSH1: ACB-1UB42
16	L-Pipe Assy	XEK12914 A	E05628	1	1	1	
16-1	Double Pipe	XEK50748 A	E05629	1	1	1	
16-2	Band	17G00129 F	R5094	2	2	2	
16-3	Expansion Valve	X17F05654 A	E05577	1	1	1	MVB: UKV-25D174 without Coil
16-4	EXPV. Coil	X17C78180 C	E01369	1	1	1	MVD: UKV-A035
16-5	Strainer	17D55178 A	P16943	1	1	1	
16-6	Service Valve	17F17387 A	P29837	1	1	1	OD: 3/8
16-7	Special Screw	X17D30320 F	E05571	2	2	2	SUS,M6
17	Reversing Valve Assy	XEK12940 A	E05763	1			
		XEK12940 B	E05770		1		
		XEK12941 A	E05771			1	
17-1	Reversing Valve	X17F06923 A	E05579	1	1	1	RVR1: STF-H0712 without Coil
17-2	Reversing Valve	X17F06922 A	E05578	1	1	1	RVR2: STF-H0404 without Coil
17-3	Coil	X17F06925 A	E05581	2	2	2	RVR1, 2: STF-H01A11870A1
17-4	Solenoid Valve	17F14670 A	P31176	1	1	1	SVA: FDF5A11A without Coil
17-5	Coil	17F14671 D	P31180	1	1	1	SVA: FQ-A0522G-001332
17-6	Solenoid Valve	17F13308 A	P30165	2	2	2	SVG: TEV-S without Coil
17-7	Coil	17F13309 D	P30169	2	2	2	SVG: TEV-SM0AJ2066A1

Refrigerant Cycle

No.	DESCRIPTION	DWG No.	PART No.	MODEL NAME			REMARKS
				RAS-8FSXNSE, 3~400V 50 HZ	RAS-10FSXNSE, 3~400V 50 HZ	RAS-12FSXNSE, 3~400V 50 HZ	
17-8	Strainer	17G62701 A	P25036	1	1	1	
17-9	Check Joint	17C75461 D	P29350	3	3	3	
17-10	PGC Joint	17C93010 B	P27887	2	2	2	
17-11	Pressure Sensor (D)	X17B46255 A	E05572	1	1	1	PD: NSK-BH050F-417
17-12	Pressure Sensor (S)	X17B46256 A	E05574	1	1	1	PS: NSK-BH020F-417
17-13	Screw	17H32504 A	P31227	1	1	1	for Solenoid Valve
17-14	Strainer	17G87733 B	P28508	1	1	1	
17-15	Service Valve	17F09233 A	P29260	2	2	2	OD: 7/8
17-16	Special Screw	X17D30320 F	E05571	2	2	2	SUS, M6
17-17	Check Joint	X17C75461 C	E03124	1	1	1	
17-18	Band	17G00129 H		2	2	2	
17-19	Oil Return Pipe Assy	X17F19357 A	E05634	1			
		X17F19358 A	E05635		1		
		X17F19359 A	E05636			1	
18	S-Pipe Assy	X17H30234 A	E05637	1	1		
		X17H30235 A	E05638			1	
19	Expansion Valve Assy	X17H29892 A	E05639	1	1	1	
19-1	Expansion Valve	17F07288 B	P29262	1	1	1	MV1: PAM-BBOYGHS-1 without Coil
19-2	EXPV. Coil	17F07287 A	P29263	1	1	1	MV1: PAM-MD12HS-7
19-3	Strainer	17G62700 A	P25041	1	1	1	
20	Heat Exchanger	XEK12981 A	E05640	1	1		
		XEK12982 A	E05641			1	
21	Special Screw	17H12637 A	P25678	22	22	22	
		XEK51148 D	E05762	1			
22	Accessory Pipe Assy	X17H11054 A	E05642		1		
		X17H11054 E	E05643			1	
23	Thermistor	17B24597 A	P22521	1	1	1	TD1, THM8
24	Thermistor	17C59664 A	P22523	1	1	1	for Pipe Temperature, TCHG, THM17
25	Thermistor	17C59664 E	P23507	1	1	1	for Pipe Temperature, TG, THM12
26	Thermistor	17C59664 E	P23507	2	2	2	for Pipe Temperature, TE & TSC, THM10 & THM23
27	TH Plate	X17D82987 A	E05644	1	1	1	
28	TH Plate	X17D40794 A	E05645	1	1	1	
29	TH Plate	X17D49473 A	E05646	4	4	4	

Refrigerant Cycle



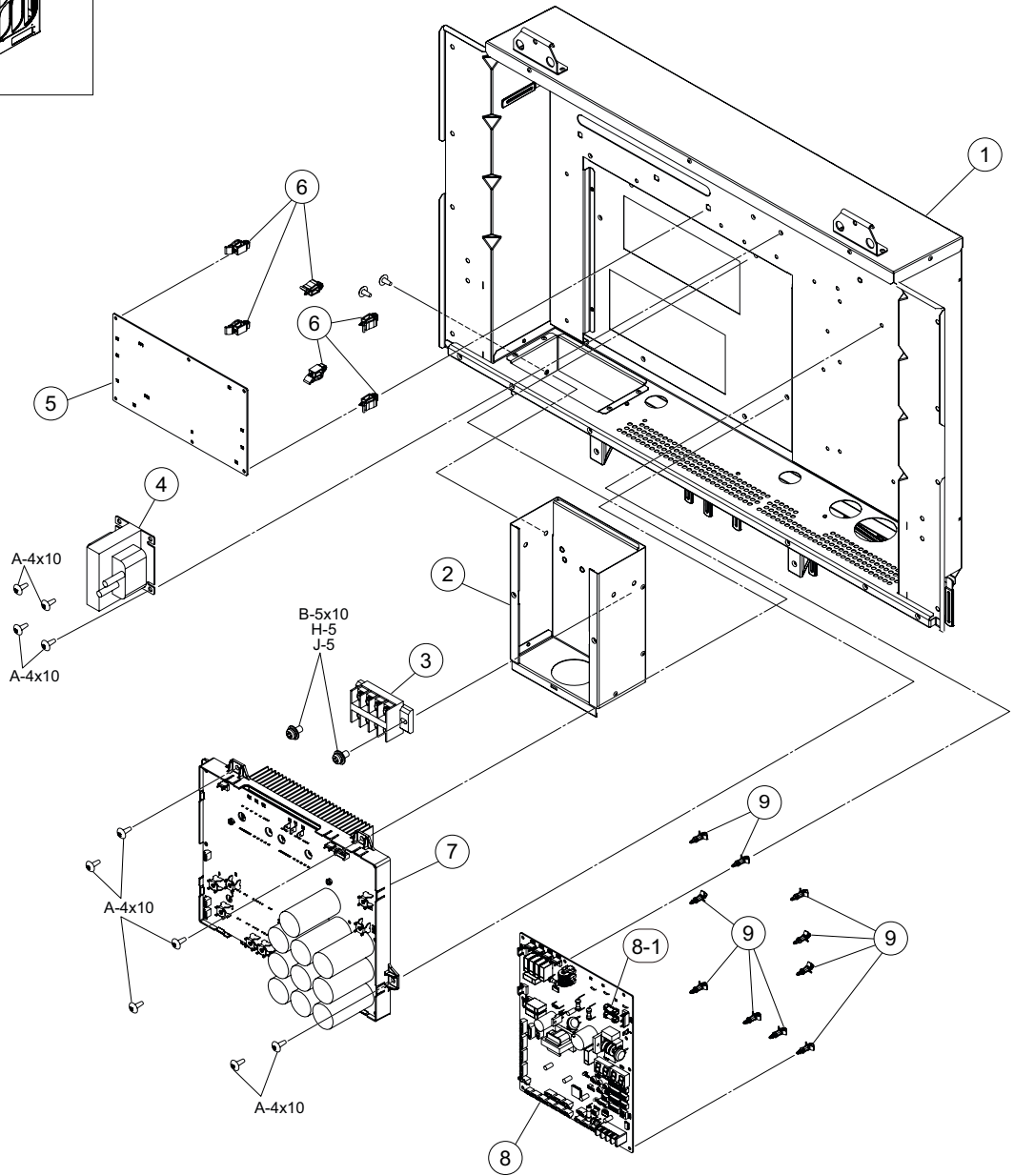
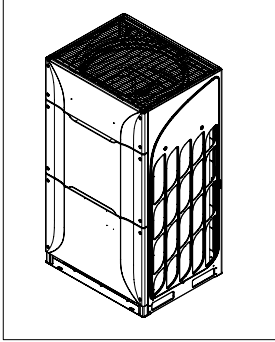
A	Truss Head Tapping Screw		F	Stud Bolt	
B	Round Head Screw		G	Nut	
C	Flat Head Screw		H	Washer	
D	Pan Head Tapping Screw		J	Spring Lock Washer	
E	Hexagon Head Bolt		K	Toothed Lock Washer	

NOTE:
The unicromated coating is applied to iron and steel material for the unspecified materials of the bolt and screw.

Electrical Parts

No.	DESCRIPTION	DWG No.	PART No.	MODEL NAME			REMARKS
				Qty	Qty	Qty	
				PRODUCT CODE			
				RAS-8FSXNSE, 3~400V 50 HZ	7E334210		
				RAS-10FSXNSE, 3~400V 50 HZ	7E334211		
				RAS-12FSXNSE, 3~400V 50 HZ	7E334212		
1	Electrical Box	XEK12917 A	E05714	1	1	1	
2	TB Box	XEK50752 A	E05715	1	1	1	
3	Terminal Board	XEK34375 A	E02519	1	1	1	TB1: 600V, 50A
4	Reactor	17H32793 A	P31331	1	1	1	DCL1: 1.0mH, 35A
5	Noise Filter	17A26887 B	P31277	1	1	1	NF1: NF161, Power fuses (PF 50A)
6	Holder	17G07802 A	P20985	6	6	6	Noise Filter Holder
7	Inverter Fin	17F21278 E	P31272	1	1	1	INV1: PV161, 19.5A, Smoothing Capacitor (8000µF)
		17F21278 F	P31273	1	1	1	INV1: PV161, 26A, Smoothing Capacitor (8000µF)
8	Control PCB	17B47250 B	P31267	1	1	1	PCB1: PO151
8-1	Fuse	17C90851 A	P27957	2	2	2	EFR1, EFS1: AC250V, 5A
9	Spacer	XEK30992 C	E03165	10	10	10	PCB Holder

Electrical Parts



A	Truss Head Tapping Screw		F	Stud Bolt	
B	Round Head Screw		G	Nut	
C	Flat Head Screw		H	Washer	
D	Pan Head Tapping Screw		J	Spring Lock Washer	
E	Hexagon Head Bolt		K	Toothed Lock Washer	

NOTE:
The uncoated coating is applied to iron and steel material for the unspecified materials of the bolt and screw.