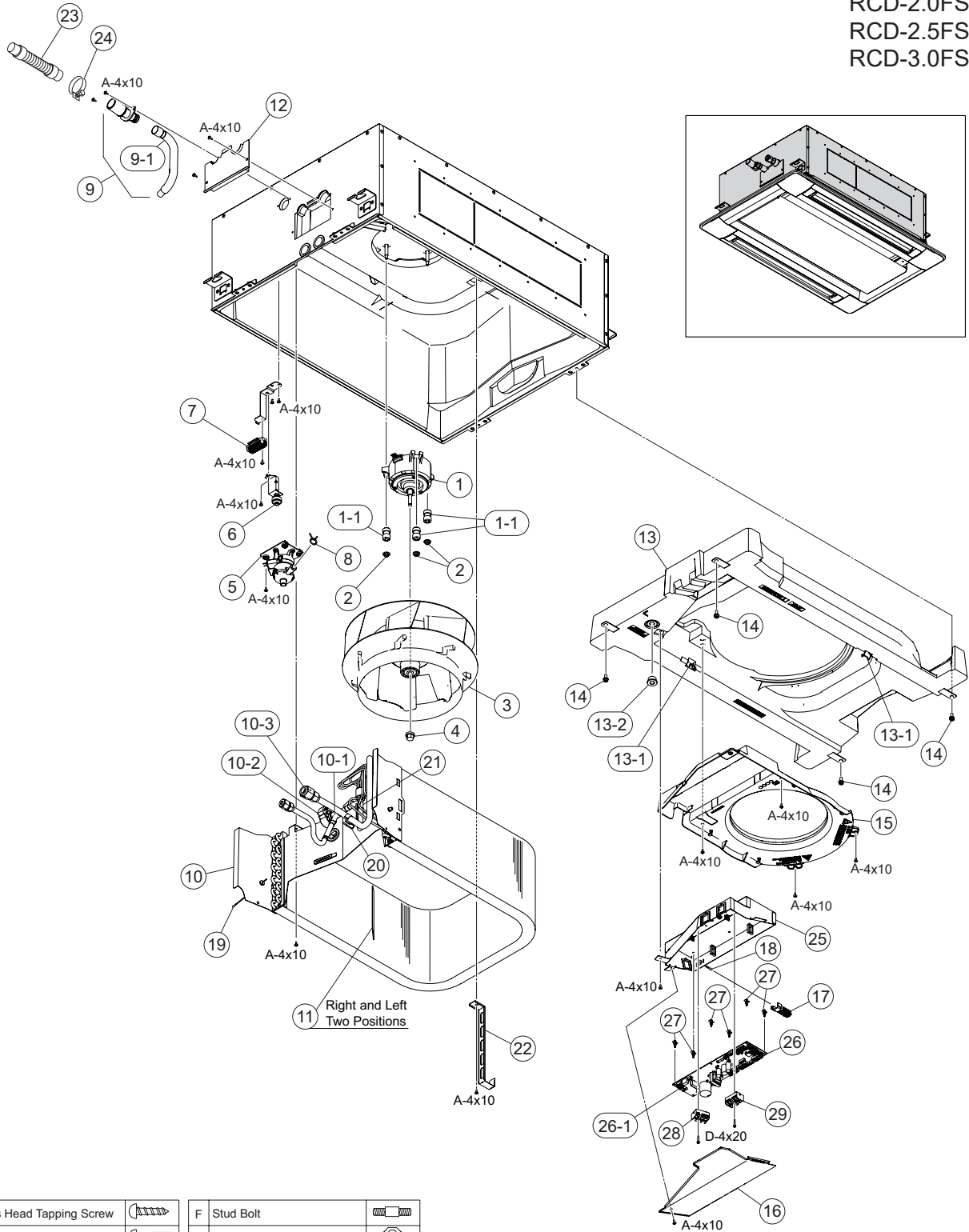


						(P0198x-01)					
						Voltage					
						1φ 230V / 50Hz					
						1φ 220-240V / 50Hz					
						1φ 220V / 60Hz					
No.	Part Name	Replacement Part		Remarks	Q'ty Per Unit						
		Draw. No.	Order No.		RC-D-0.8FSR	RC-D-1.0FSR	RC-D-1.5FSR	RC-D-2.0FSR	RC-D-2.5FSR	RC-D-3.0FSR	
1	Fan Motor	17B46897C	P30483	No.1-1 Vibration Absorber x 3	1	1	1	1	1	1	
1-1	Vibration Absorber	17H25501A	P30485		3	3	3	3	3	3	
2	Nut	17H12116A	P28899		3	3	3	3	3	3	
3	Turbo Fan	17A24341A	P30486		1	1	1	1	1	1	
4	Nut	17F18639A	P30487		1	1	1	1	1	1	
5	Condensate Pump	17B42037B	P30488		1	1	1	1	1	1	
6	Float Switch Assy	17H12815F	P32073		1	1	1	1	1	1	
7	Antibacterial Agent Assy	17E26752A	P30499	except for Turkey	1	1	1	1	1	1	
8	Wire Clamp	SQ4-2028G	P21284		1	1	1	1	1	1	
9	Condensate Hose Assy	17H20078A	P29753		1	1	1	1	1	1	
9-1	Condensate Hose	17C53519A	P21271		1	1	1	1	1	1	
10	Heat Exchanger Assy	A10491190A	P30490	No.10-1 Expansion Valve x 1, No.10-2 Motor for EXPV. x 1, No.10-3 Flare Nut x 1	1	1					
		A10440440A	P30491				1	1			
		A10441060B	P30505						1	1	
10-1	Expansion Valve	17F04391A	P28701		1	1	1	1			
		17F04392A	P28702						1	1	
10-2	Motor for EXPV.	17F04390A	P29142	for Expansion Valve	1	1	1	1	1	1	
10-3	Flare Nut	17E20872C	R4226	φ12.7	1	1	1	1			
		17E20872D	R4227	φ15.88					1	1	
11	Wind Direction Plate	17F15832A	P30500		2	2	2	2	2	2	
12	Pipe Cover Assy	17H25113B	-		1	1	1	1	1	1	
13	Condensate Pan Assy	17B49748A	P30494	except for Turkey No.13-1 Hook x 2, No.13-2 Rubber Cap x 1	1	1	1	1	1	1	
		17B49748B	P32074	for Turkey No.13-1 Hook x 2, No.13-2 Rubber Cap x 1	1	1	1	1	1	1	
13-1	Hook	17H26225A	-		2	2	2	2	2	2	
13-2	Rubber Cap	17G53386A	P28881		1	1	1	1	1	1	
14	Special Screw	17G09328A	-		4	4	4	4	4	4	
15	Bell Mouth Assy	17B46408A	P30496		1	1	1	1	1	1	
16	Electrical Box Cover	17F15064B	-		1	1	1	1	1	1	
17	Thermistor Case	17H26183A	P30501	for THM1	1	1	1	1	1	1	
18	Thermistor	17B49527A	P24017	for Air Inlet, THM1	1	1	1	1	1	1	
19	Thermistor	17B49527H	P23588	for Air Outlet, THM2	1	1	1	1	1	1	
20	Thermistor	17B42635A	P28901	for Gas Pipe, THM5	1	1	1	1	1	1	
21	Thermistor	17B42636A	P28902	for Freeze Protection, THM3	1	1	1	1	1	1	
22	Support Plate	17H25097A	-		1	1					
		17H25097B	-				1	1	1	1	
23	Hose	17C78348A	P25911		1	1	1	1	1	1	
24	Hose Clip	17C93558A	P28308		1	1	1	1	1	1	
25	Electrical Box	17F15063B	-		1	1	1	1	1	1	
26	PCB-S	17H30830N	P32411	PCB1, PI153, No.26-1 Fuse x 1	1	1	1	1	1	1	
26-1	Fuse	17C90851A	P27957	EFR1, 5A	1	1	1	1	1	1	
27	Spacer	17D81271B	P19516	for PCB1	6	6	6	6	6	6	
28	Terminal Block	17B43600A	P29234	TB1	1	1	1	1	1	1	
29	Terminal Block	17B42182E	P30498	TB2	1	1	1	1	1	1	

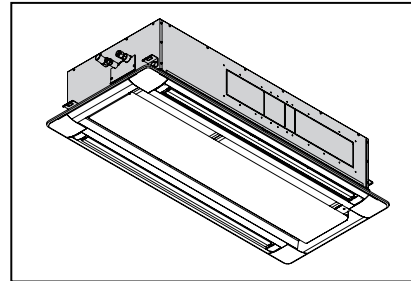
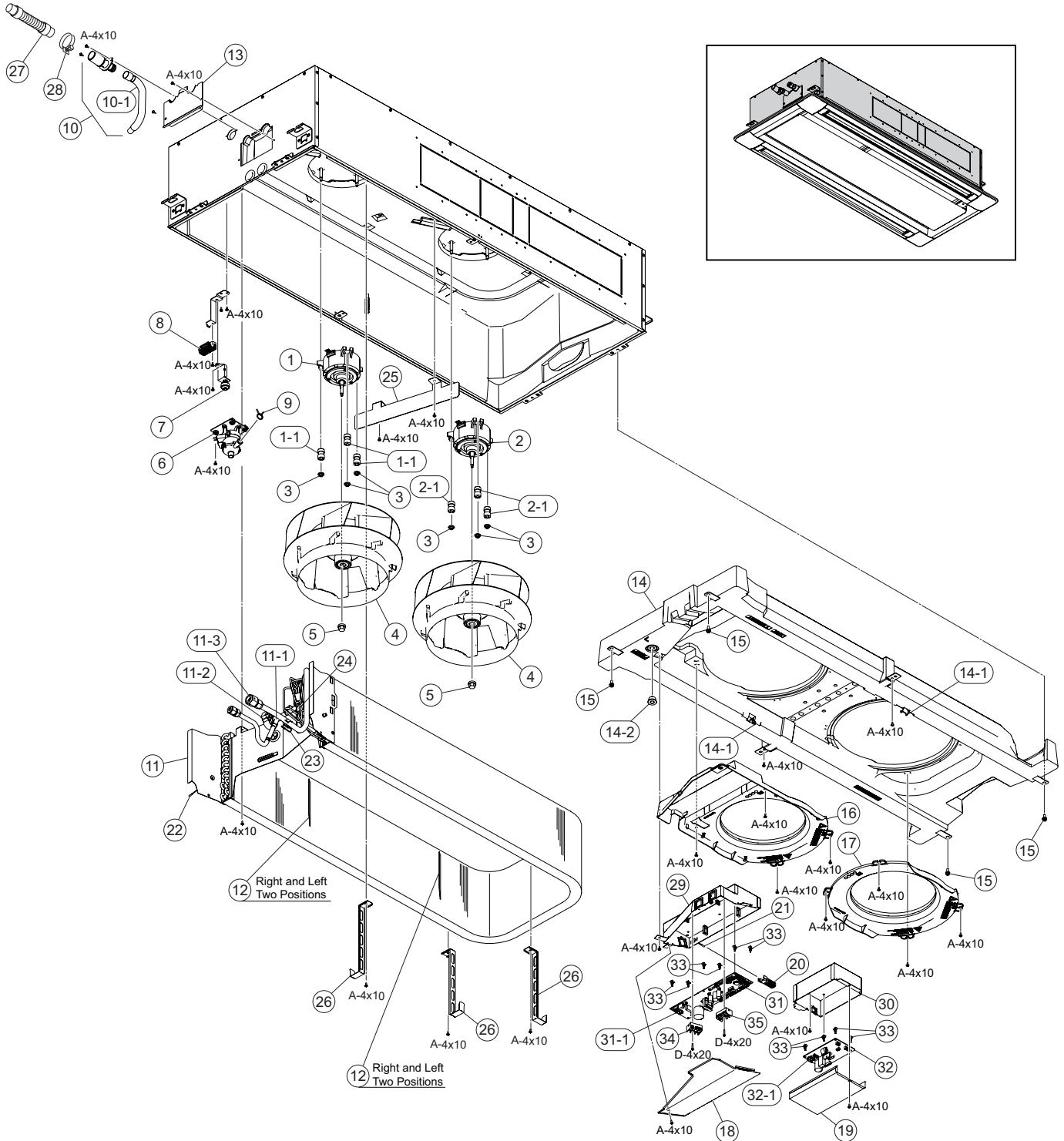
MODEL: RCD-0.8FSR  
 RCD-1.0FSR  
 RCD-1.5FSR  
 RCD-2.0FSR  
 RCD-2.5FSR  
 RCD-3.0FSR



A	Truss Head Tapping Screw		F	Stud Bolt	
B	Round Head Screw		G	Nut	
C	Flat Head Screw		H	Washer	
D	Pan Head Tapping Screw		J	Spring Lock Washer	
E	Hexagon Head Bolt		K	Toothed Lock Washer	

No.	Part Name	Replacement Part		Remarks	Voltage		
		Draw. No.	Order No.		Q'ty Per Unit		
					1ϕ 230V / 50Hz	1ϕ 220-240V / 50Hz	1ϕ 220V / 60Hz
					RCD-4,0FSR	RCD-5,0FSR	RCD-6,0FSR
1	Fan Motor	17B46897C	P30483	No.1-1 Vibration Absorber x 3	1	1	1
1-1	Vibration Absorber	17H25501A	P30485		3	3	3
2	Fan Motor	17B46897D	P30484	No.2-1 Vibration Absorber x 3	1	1	1
2-1	Vibration Absorber	17H25501A	P30485		3	3	3
3	Nut	17H12116A	P28899		6	6	6
4	Turbo Fan	17A24341A	P30486		2	2	2
5	Nut	17F18639A	P30487		2	2	2
6	Condensate Pump	17B42037B	P30488		1	1	1
7	Float Switch Assy	17H12815F	P32073		1	1	1
8	Antibacterial Agent Assy	17E26752A	P30499	except for Turkey	1	1	1
9	Wire Clamp	SQ4-2028G	P21284		1	1	1
10	Condensate Hose Assy	17H20078A	P29753		1	1	1
10-1	Condensate Hose	17C53519A	P21271		1	1	1
11	Heat Exchanger Assy	A10441270A	P30493	No.11-1 Expansion Valve x 1, No.11-2 Motor for EXPV. x 1, No.11-3 Flare Nut x 1	1	1	1
11-1	Expansion Valve	17F04392A	P28702		1		
		17F04393A	P28703			1	1
11-2	Motor for EXPV.	17F04390A	P29142	for Expansion Valve	1	1	1
11-3	Flare Nut	17E20872D	R4227	ϕ15.88	1	1	1
12	Wind Direction Plate	17F15832A	P30500		4	4	4
13	Pipe Cover Assy	17H25113B	-		1	1	1
14	Condensate Pan Assy	17B46869A	P30495	except for Turkey No.14-1 Hook x 2, No.14-2 Rubber Cap x 1	1	1	1
		17B46869B	P32081	for Turkey No.14-1 Hook x 2, No.14-2 Rubber Cap x 1	1	1	1
14-1	Hook	17H26225A	-		2	2	2
14-2	Rubber Cap	17G53386A	P28881		1	1	1
15	Special Screw	17G09328A	-		4	4	4
16	Bell Mouth Assy	17B46408A	P30496		1	1	1
17	Bell Mouth Assy	17B46409A	P30497		1	1	1
18	Electrical Box Cover	17F15064B	-		1	1	1
19	Electrical Box Cover	17H25091B	-		1	1	1
20	Thermistor Case	17H26183A	P30501	for THM1	1	1	1
21	Thermistor	17B49527A	P24017	for Air Inlet, THM1	1	1	1
22	Thermistor	17B49527H	P23588	for Air Outlet, THM2	1	1	1
23	Thermistor	17B42635A	P28901	for Gas Pipe, THM5	1	1	1
24	Thermistor	17B42636A	P28902	for Freeze Protection, THM3	1	1	1
25	Fan Partition Plate	17H25096A	-		1	1	1
26	Support Plate	17H25097B	-		3	3	3
27	Hose	17C78348A	P25911		1	1	1
28	Hose Clip	17C93558A	P28308		1	1	1
29	Electrical Box	17F15063B	-		1	1	1
30	Electrical Box	17H25090B	-		1	1	1
31	PCB-S	17H30830N	P32411	PCB1, PI153, No.31-1 Fuse x 1	1	1	1
31-1	Fuse	17C90851A	P27957	EFR1, 5A	1	1	1
32	PCB-S	17H25940B	P30758	PCB2, PI141, No.32-1 Fuse x 1	1	1	1
32-1	Fuse	17C90851A	P27957	5A	1	1	1
33	Spacer	17D81271B	P19516		10	10	10
34	Terminal Block	17B43600A	P29234		1	1	1
35	Terminal Block	17B42182E	P30498		1	1	1

MODEL: RCD-4.0FSR  
RCD-5.0FSR  
RCD-6.0FSR



A	Truss Head Tapping Screw		F	Stud Bolt	
B	Round Head Screw		G	Nut	
C	Flat Head Screw		H	Washer	
D	Pan Head Tapping Screw		J	Spring Lock Washer	
E	Hexagon Head Bolt		K	Toothed Lock Washer	