

PRODUCT CODE
7E414148
7E414137
7E414100
7E414101
7E414102
7E414103
7E414104

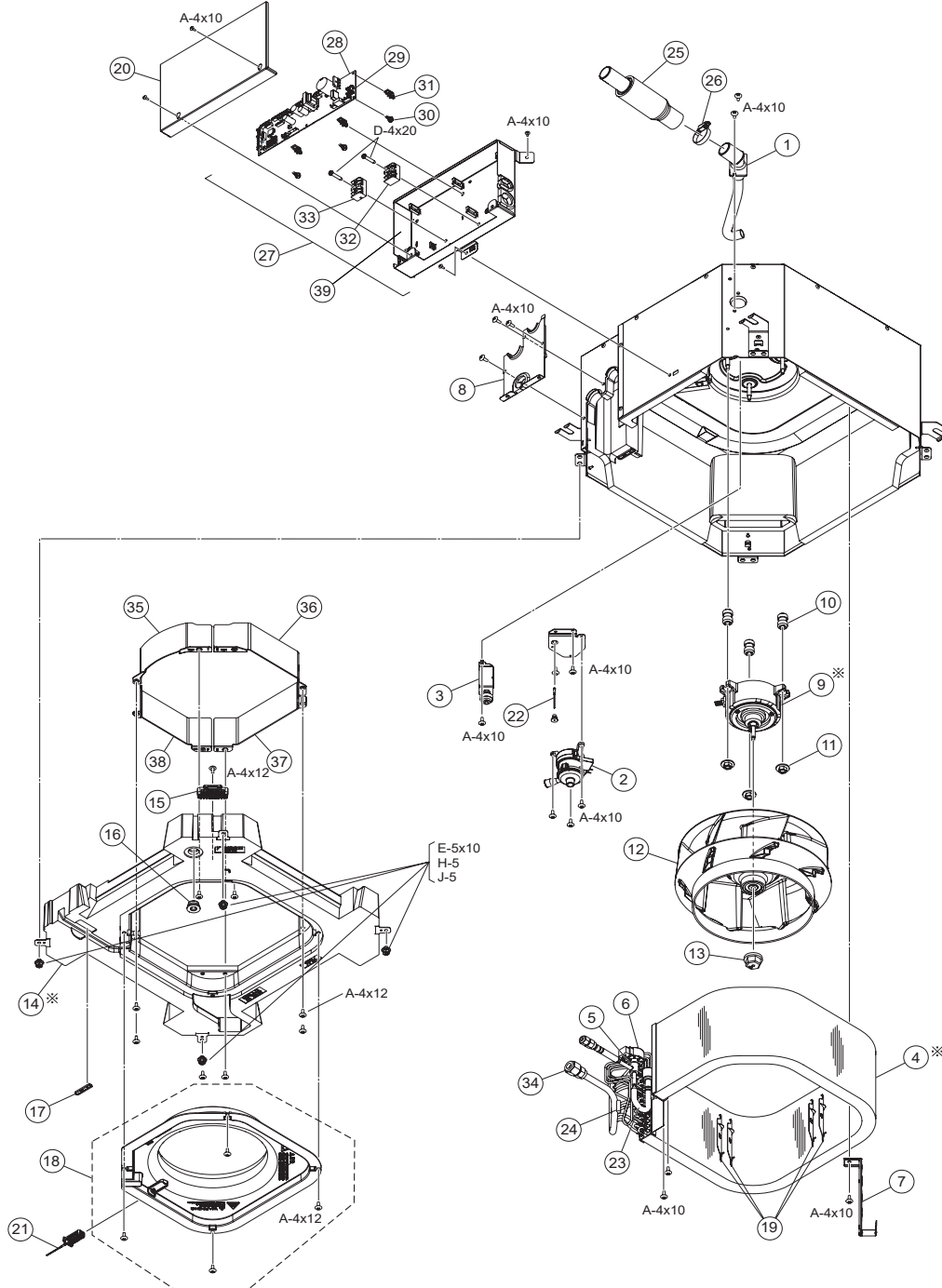
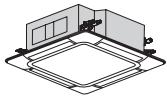
MODEL NAME

RCIM-0.4FSRE,1~230V 50Hz
RCIM-0.6FSRE,1~230V 50Hz
RCIM-0.8FSRE,1~230V 50Hz
RCIM-1.0FSRE,1~230V 50Hz
RCIM-1.5FSRE,1~230V 50Hz
RCIM-2.0FSRE,1~230V 50Hz
RCIM-2.5FSRE,1~230V 50Hz

No.	DESCRIPTION	DWG No.	PART No.	Qty	Qty	Qty	Qty	Qty	Qty	Qty	REMARKS
1	Drain Hose Assy	17H28295 A	P30724	1	1	1	1	1	1	1	
2	Pump Assy	XEK50038 A	E05332	1	1	1	1	1	1	1	
3	Float Switch Assy	XEK13313 A	E06200	1	1	1	1	1	1	1	Drain Discharge Mechanism
4	Heat Exchanger Assy	XEK12852 A	E05333	1							No.5 Expansion Valve x 1, No.34 Flare Nut x 1
4	Heat Exchanger Assy	XEK12727 A	E05334		1	1					No.5 Expansion Valve x 1, No.34 Flare Nut x 1
4	Heat Exchanger Assy	XEK12728 A	E05335				1	1			No.5 Expansion Valve x 1, No.34 Flare Nut x 1
4	Heat Exchanger Assy	XEK12729 A	E05336						1		No.5 Expansion Valve x 1, No.34 Flare Nut x 1
4	Heat Exchanger Assy	XEK12729 B	E05337							1	No.5 Expansion Valve x 1, No.34 Flare Nut x 1
5	Expansion Valve	17F04391 A	P28701	1	1	1	1	1	1		
5	Expansion Valve	17F04392 A	P28702							1	
6	Motor for EXPV.	17F04390 A	P29142	1	1	1	1	1	1	1	
7	Support Plate	X17H28059 A	E05385		1	1	1	1			
7	Support Plate	X17H28059 B	E05386						1	1	
8	Pipe Cover Assy	X17H28366 A	E05387	1	1	1	1	1	1	1	
9	Fan Motor	17B47346 A	P30733	1	1	1	1	1	1	1	No.10 Vibration Absorber x 3
10	Vibration Absorber	17H23117 A	P30526	3	3	3	3	3	3	3	
11	Nut	17H12116 A	P28899	3	3	3	3	3	3	3	
12	Turbo Fan	X17A25035 B	E05351	1	1	1	1	1	1	1	
13	Nut	17F18639 A	P30487	1	1	1	1	1	1	1	
14	Drain Pan Assy	XEK12754 A	E05338	1	1	1	1	1	1	1	No.15 Antibacterial Agent Assy x 1, No.16 Rubber Cap x 1
15	Antibacterial Agent Assy	17E26752 A	P30499	1	1	1	1	1	1	1	
16	Rubber Cap	X17G53386 A	E05782	1	1	1	1	1	1	1	
17	Clamp	X17F03802 A	E05539	1	1	1	1	1	1	1	
18	Bell Mouth Assy	XEK50039 A	E05339	1	1	1	1	1	1	1	
19	Guide Vane	17F16468 A	P30536	6	6	6	6	6	4	4	
20	Electrical Box Cover	XEK52541 A	E06786	1	1	1	1	1	1	1	
21	Thermistor Assy	XEK50040 A	E05341	1	1	1	1	1	1	1	for Air Inlet, THM1
22	Thermistor Assy	17B49527 G	P22436	1	1	1	1	1	1	1	for Air Outlet, THM2
23	Thermistor	17B42636 C	P29764	1	1	1	1	1	1	1	for Freeze Protection, THM3
24	Thermistor	17B42635 C	P29020	1	1	1	1	1	1	1	for Gas Pipe, THM5
25	Hose	17C78348 A	P25911	1	1	1	1	1	1	1	

PRODUCT CODE	MODEL NAME
7E414148	RCIM-0.4FSRE,1~ 230V 50Hz
7E414137	RCIM-0.6FSRE,1~ 230V 50Hz
7E414100	RCIM-0.8FSRE,1~ 230V 50Hz
7E414101	RCIM-1.0FSRE,1~ 230V 50Hz
7E414102	RCIM-1.5FSRE,1~ 230V 50Hz
7E414103	RCIM-2.0FSRE,1~ 230V 50Hz
7E414104	RCIM-2.5FSRE,1~ 230V 50Hz

No.	DESCRIPTION	DWG No.	PART No.	Qty	Qty	Qty	Qty	Qty	Qty	Qty	REMARKS
26	Hose Clip	XEK31074 B	E05540	1	1	1	1	1	1	1	
27	Electrical Box	XEK13344 A	E06787	1							Assy.Includes Plates, Components and Harness
27	Electrical Box	XEK13344 B	E06760		1						Assy.Includes Plates, Components and Harness
27	Electrical Box	XEK13344 C	E06761			1					Assy.Includes Plates, Components and Harness
27	Electrical Box	XEK13344 D	E06762				1				Assy.Includes Plates, Components and Harness
27	Electrical Box	XEK13344 E	E06763					1			Assy.Includes Plates, Components and Harness
27	Electrical Box	XEK13344 F	E06764						1		Assy.Includes Plates, Components and Harness
27	Electrical Box	XEK13344 G	E06765							1	Assy.Includes Plates, Components and Harness
28	PCB-S	17H30830 N	P32411	1	1	1	1	1	1	1	PCB1
29	Fuse	17C90851 A	P27957	1	1	1	1	1	1	1	EFR1
30	Spacer	XEK30992 D	E05349	3	3	3	3	3	3	3	for PCB1
31	Spacer	17H03506 A	P28260	3	3	3	3	3	3	3	for PCB1
32	Terminal Block	XEK52564 A	E06766	1	1	1	1	1	1	1	TB1
33	Terminal Block	17B42182 E	P30498	1	1	1	1	1	1	1	TB2
34	Flare Nut	17E20872 C	R4226	1	1	1	1	1	1		φ12.7
34	Flare Nut	17E20872 D	R4227							1	φ15.88
35	Fan Guide 1	X17F17266 A	E05354	1	1	1	1	1	1	1	
36	Fan Guide 2	X17F17267 A	E05355	1	1	1	1	1	1	1	
37	Fan Guide 3	X17F17268 A	E05356	1	1	1	1	1	1	1	
38	Fan Guide 4	X17F17269 A	E05357	1	1	1	1	1	1	1	
39	E- Box Unit	XEK26259 C	E06643	1	1	1	1	1	1	1	Includes Plates and Rubber Bush



A	Truss Head Tapping Screw		F	Stud Bolt	
B	Round Head Screw		G	Nut	
C	Flat Head Screw		H	Washer	
D	Pan Head Tapping Screw		J	Spring Lock Washer	
E	Hexagon Head Bolt		K	Toothed Lock Washer	

NOTE:

The unicomated coating is applied to iron and steel material for the unspecified materials of the bolt and screw.