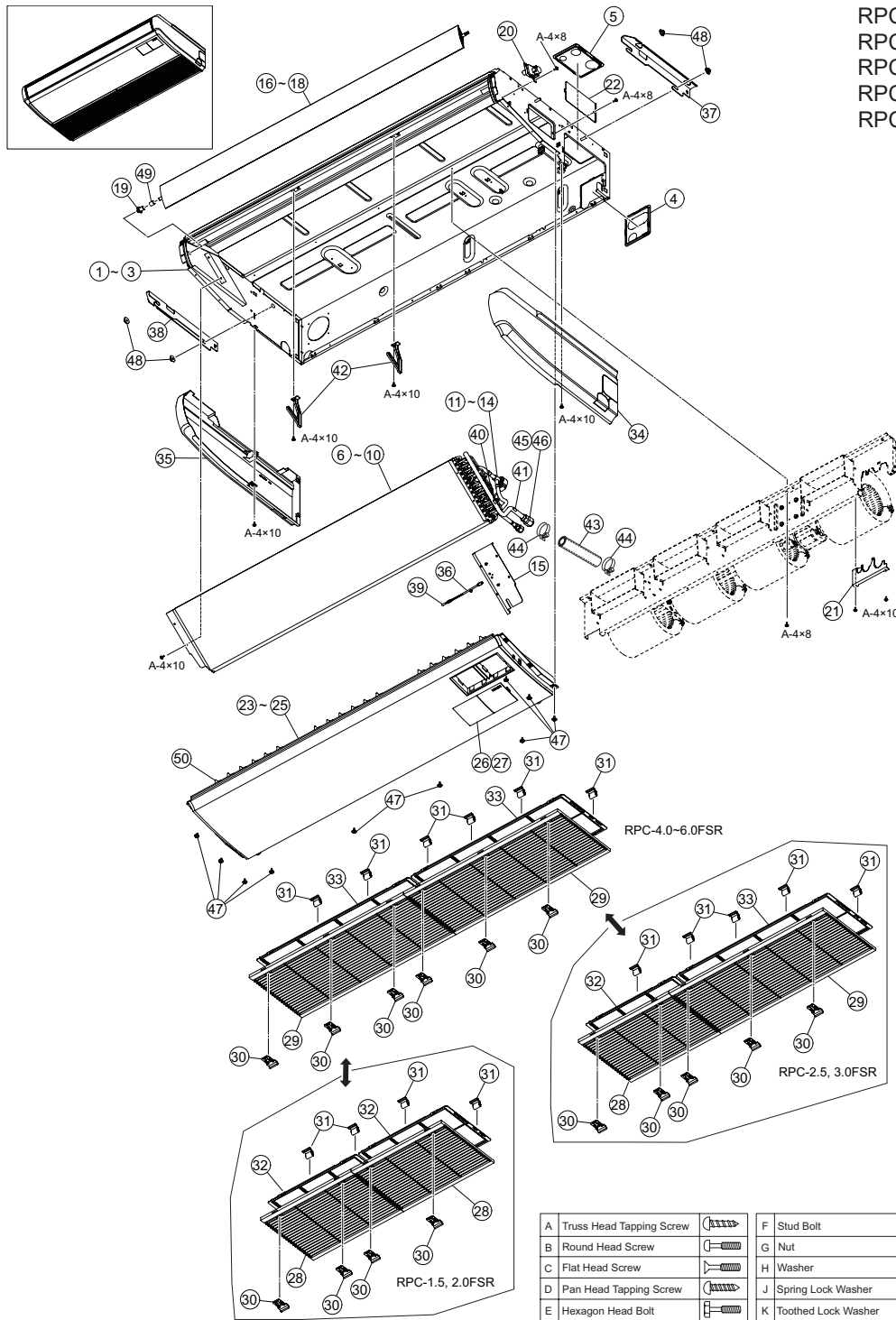
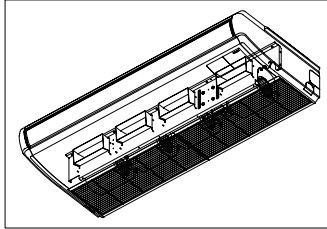


					(P0200x-01)									
					Voltage									
					230V/50Hz 220-240V/50Hz 220V/60Hz									
No.	Part Name	Replacement Part		Remarks	Q'ty Per Unit									
		Draw. No.	Order No.		RPC-1.5FSR	RPC-2.0FSR	RPC-2.5FSR	RPC-3.0FSR	RPC-4.0FSR	RPC-5.0FSR	RPC-6.0FSR			
1	Cabinet Panel Assy	A11073300A	-		1	1								
2	Cabinet Panel Assy	A11073300B	-					1	1					
3	Cabinet Panel Assy	A11073300C	-									1	1	1
4	Rear Cap	17F09611A	P29294		1	1	1	1	1	1	1	1	1	1
5	Cap	17F09612A	P29295		1	1	1	1	1	1	1	1	1	1
6	Heat Exchanger	A10441460A	P29296	No.11 Expansion Valve x 1, No.14 Motor for EXPV x 1, No.40 Thermistor x 1, No.41 Thermistor x 1, No.45 Flare Nut x 1	1									
7	Heat Exchanger	A10441590A	P29297	No.11 Expansion Valve x 1, No.14 Motor for EXPV x 1, No.40 Thermistor x 1, No.41 Thermistor x 1, No.45 Flare Nut x 1		1								
8	Heat Exchanger	A10442980B	P29299	No.12 Expansion Valve x 1, No.14 Motor for EXPV x 1, No.40 Thermistor x 1, No.41 Thermistor x 1, No.46 Flare Nut x 1				1	1					
9	Heat Exchanger	A10443330A	P29301	No.12 Expansion Valve x 1, No.14 Motor for EXPV x 1, No.40 Thermistor x 1, No.41 Thermistor x 1, No.46 Flare Nut x 1								1		
10	Heat Exchanger	A10443330B	P29302	No.13 Expansion Valve x 1, No.14 Motor for EXPV x 1, No.40 Thermistor x 1, No.41 Thermistor x 1, No.46 Flare Nut x 1									1	1
11	Expansion Valve	17F04391A	P28701		1	1								
12	Expansion Valve	17F04392A	P28702					1	1	1				
13	Expansion Valve	17F04393A	P28703										1	1
14	Motor for EXPV	17F04390E	P29144		1	1	1	1	1	1	1	1	1	1
15	Evap. Partition P.	17H16709A	-		1	1	1	1	1	1	1	1	1	1
16	Louver Assy	17B43632A	P29303		1	1								
17	Louver Assy	17B43632B	P29304					1	1					
18	Louver Assy	17B43632C	P29305									1	1	1
19	Bearing	17H16571A	P30021		1	1	1	1	1	1	1	1	1	1
20	AS Motor Assy	17F09581A	P29306		1	1	1	1	1	1	1	1	1	1
21	Piping Plate Assy	17H17339A	-		1	1	1	1	1	1	1	1	1	1
22	Cover for Maintaining	17H16642A	-		1	1	1	1	1	1	1	1	1	1
23	Drain Pan Assy	17B43635A	P29307	No.26 Cover x 1, No.27 Cover x 1, No.50 Vertical Blade x 8	1	1								
24	Drain Pan Assy	17B43635B	P29308	No.26 Cover x 1, No.27 Cover x 1, No.50 Vertical Blade x 12				1	1					
25	Drain Pan Assy	17B43635C	P29309	No.26 Cover x 1, No.27 Cover x 1, No.50 Vertical Blade x 18								1	1	1
26	Cover	17F09485A	P29310		1	1	1	1	1	1	1	1	1	1
27	Cover	17F09485B	P29311	with "HITACHI" Logo	1	1	1	1	1	1	1	1	1	1
28	Air Inlet Grille	17A22957A	P29312		2	2	1	1						
29	Air Inlet Grille	17A22958A	P29313					1	1	2	2	2	2	2
30	Grille Knob	17F09603A	P29314		4	4	5	5	6	6	6	6	6	6
31	Grille Support	17C54443A	P22015		4	4	5	5	6	6	6	6	6	6
32	Filter	17B43560A	P29315	except for Europe										
		17B43560C	P31597	for Europe	2	2	1	1						
33	Filter	17B43561A	P29316	except for Europe				1	1	2	2	2	2	2
		17B43561C	P31598	for Europe										
34	Side Cover	17A22901A	P29317		1	1	1	1	1	1	1	1	1	1
35	Side Cover	17A22902A	P29318		1	1	1	1	1	1	1	1	1	1
36	Thermo Plate	17H16546A	-		1	1	1	1	1	1	1	1	1	1
37	Suspension Plate	17F09608A	P29320	for Right Side	1	1	1	1	1	1	1	1	1	1
38	Suspension Plate	17F09608B	P29321	for Left Side	1	1	1	1	1	1	1	1	1	1
39	Thermistor	17B49527J	P22668	THM2 for Air Outlet	1	1	1	1	1	1	1	1	1	1

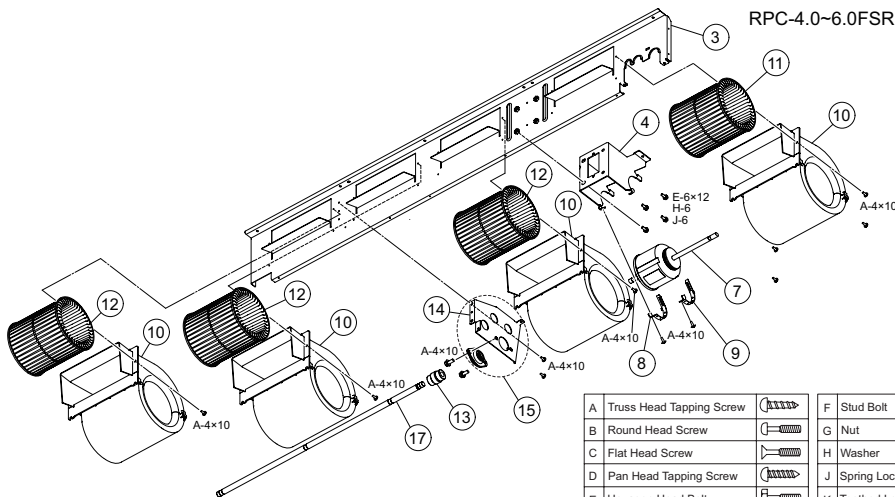
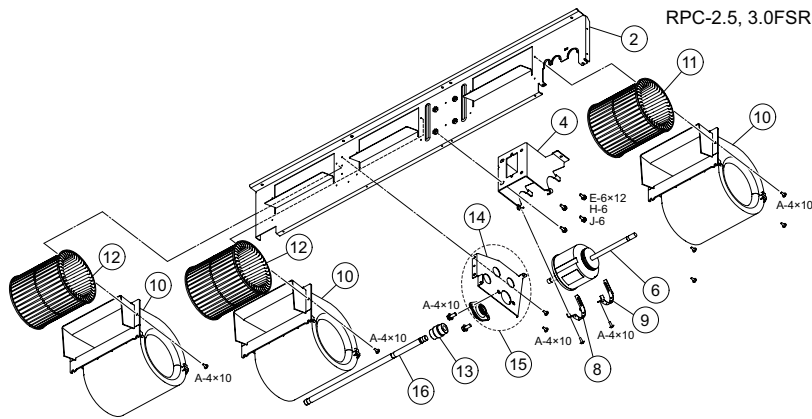
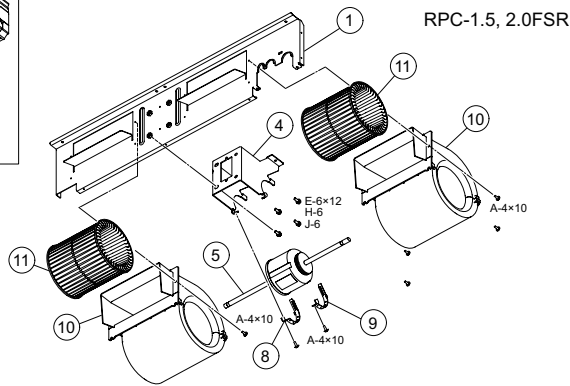
MODEL: RPC-1.5FSR
 RPC-2.0FSR
 RPC-2.5FSR
 RPC-3.0FSR
 RPC-4.0FSR
 RPC-5.0FSR
 RPC-6.0FSR



< Fan >



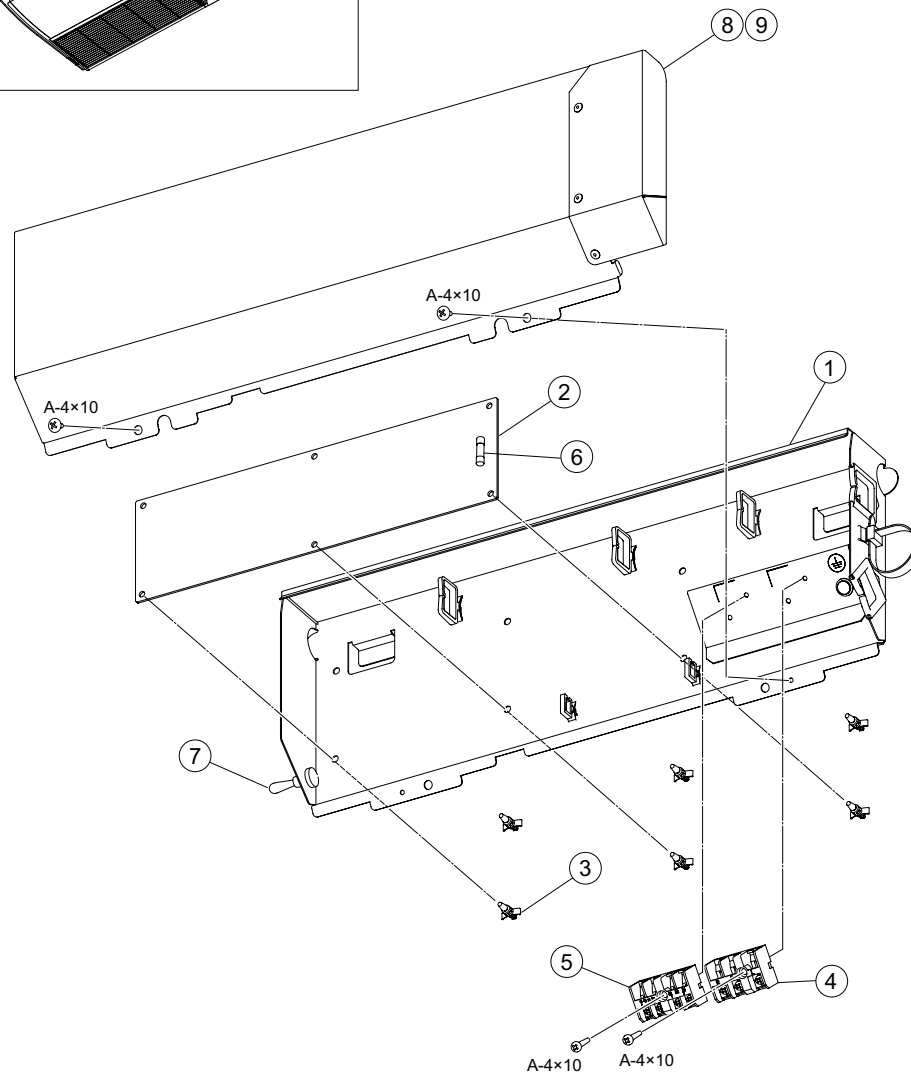
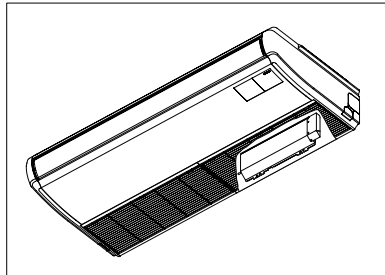
MODEL: RPC-1.5FSR
 RPC-2.0FSR
 RPC-2.5FSR
 RPC-3.0FSR
 RPC-4.0FSR
 RPC-5.0FSR
 RPC-6.0FSR



A	Truss Head Tapping Screw		F	Stud Bolt	
B	Round Head Screw		G	Nut	
C	Flat Head Screw		H	Washer	
D	Pan Head Tapping Screw		J	Spring Lock Washer	
E	Hexagon Head Bolt		K	Toothed Lock Washer	

NOTE:
 The unicomated coating is applied to iron and steel material for the unspecified materials of the bolt and screw.

MODEL: RPC-1.5FSR
 RPC-2.0FSR
 RPC-2.5FSR
 RPC-3.0FSR
 RPC-4.0FSR
 RPC-5.0FSR
 RPC-6.0FSR



A	Truss Head Tapping Screw		F	Stud Bolt	
B	Round Head Screw		G	Nut	
C	Flat Head Screw		H	Washer	
D	Pan Head Tapping Screw		J	Spring Lock Washer	
E	Hexagon Head Bolt		K	Toothed Lock Washer	