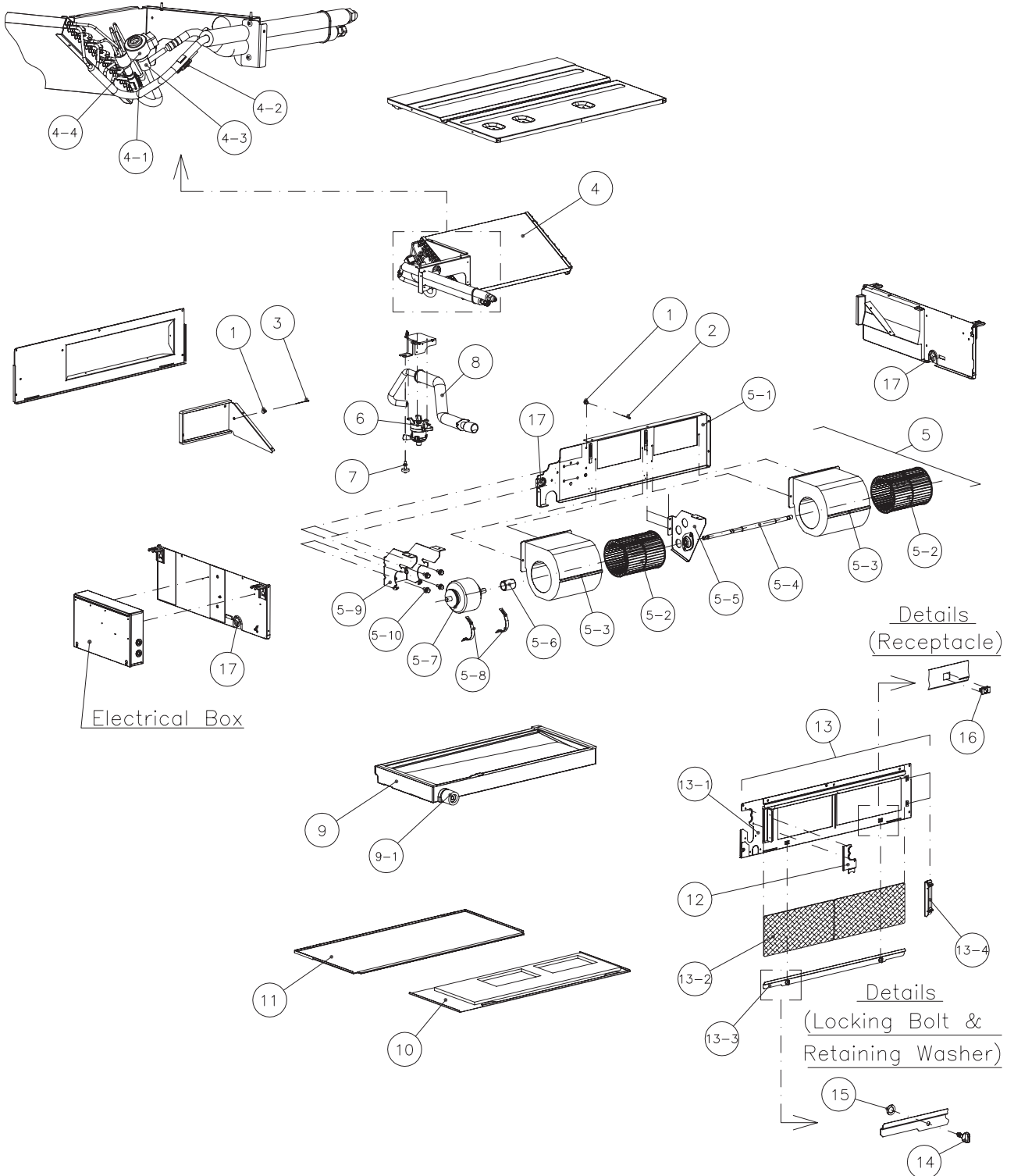


No.	DESCRIPTION	DWG No.	PART No.	MODEL NAME					REMARKS
				RPIL-0.4FSRE, ~ 230V 50Hz	RPIL-0.6FSRE, ~ 230V 50Hz	RPIL-0.8FSRE, ~ 230V 50Hz	RPIL-1.0FSRE, ~ 230V 50Hz	RPIL-1.5FSRE, ~ 230V 50Hz	
				PRODUCT CODE					
				7E426048	7E426037	7E426013	7E426014	7E426002	
1	Rubber Bush	17E19542 A	E05454	2	2	2	2	2	
2	Thermistor	17B49527 S	E06955	1	1	1	1	1	For Inlet Air
3	Thermistor	17B49527 U	E06956	1	1	1	1	1	For Outlet Air
4	Heat Exchanger	XEK27103 A	E06878	1	1				Assembly
4	Heat Exchanger	XEK27103 B	E06879			1	1	1	Assembly
4-1	Thermistor	17B42636 K	E06957	1	1	1	1	1	For Liquid Pipe
4-2	Thermistor	17B42635 K	E06958	1	1	1	1	1	For Gas Pipe
4-3	Expansion Valve	X17F04391 A	E03076	1	1	1	1	1	(Without Coil)
4-4	Expansion Valve Coil	XEK27212 A	E06914	1	1	1	1	1	
5	Fan Assy	XEK13287 A	E07016	1	1	1	1	1	Assembly (No.17 Rubber Bush x 1 Included)
5-1	Fan Stay	XEK27345 A	E07017	1	1	1	1	1	Plate
5-2	Runner	X17B08968 C	E00703	2	2	2	2	2	
5-3	Fan Casing	X17A11498 A	E00716	2	2	2	2	2	
5-4	Shaft	XEK52386	E6959	1	1	1	1	1	
5-5	Bearing Stay	XEK52476 A	E06960	1	1	1	1	1	Assembly
5-6	Coupling	17G23878 B	P30101	1	1	1	1	1	
5-7	Fan Motor	XEK13260 A	E06918	1	1	1	1	1	
5-8	Fixing Bracket	-	E06961	2	2	2	2	2	For Fan Motor
5-9	Motor Base	XEK52288 A	E07018	1	1	1	1	1	
5-10	M6 Bolt	17G09328 B	P25676	4	4	4	4	4	For Motor Base
6	Drain Pump	XEK13312 B	E06916	1	1	1	1	1	Discharge Mechanism
7	Float Switch	XEK13313 B	E06917	1	1	1	1	1	
8	Drain Hose Assy	XEK52322 A	E06962	1	1	1	1	1	Assembly
9	Drain Pan Unit	XEK27107 A	E06892	1	1	1	1	1	Assembly
9-1	Rubber Cap	17D49135 A	P21562	1	1	1	1	1	
10	Back Bottom Assy	XEK27110 A	E06898	1	1	1	1	1	(Plate + Insulations)
11	Front Bottom Assy	XEK27109 A	E06903	1	1	1	1	1	(Plate + Insulations)
12	Valve Stay	XEK52292 A	E06913	1	1	1	1	1	
13	Back Cover Assy	XEK27105 A	E06907	1	1	1	1	1	Assembly (No.14 Locking Bolt x 4, No.15 Retaining Whaser x 4, No.16 Receptacle x 4 Included)
13-1	Back Cover	XEK27158 A	E06963	1	1	1	1	1	Plate
13-2	Filter	XEK52279 B	E06888	1	1	1	1	1	
13-3	Stay Assy	XEK52681 A	E06965	1	1	1	1	1	Assembly (Stay with No. 14 Locking Bolt x 4, No.15 Retaining Washer x 4 Included)
13-4	Frame Assy	XEK52682 A	E06964	1	1	1	1	1	Assembly (Frame with No. 14 Locking Bolt x 4, No.15 Retaining Washer x 4 Included)

MODEL NAME		PRODUCT CODE
RPIL-0.4FSRE, ~ 230V 50Hz		7E426048
RPIL-0.6FSRE, ~ 230V 50Hz		7E426037
RPIL-0.8FSRE, ~ 230V 50Hz		7E426013
RPIL-1.0FSRE, ~ 230V 50Hz		7E426014
RPIL-1.5FSRE, ~ 230V 50Hz		7E426002

No.	DESCRIPTION	DWG No.	PART No.	Qty	Qty	Qty	Qty	Qty	REMARKS
14	Locking Bolt	XEK52495 A	E06966	4	4	4	4	4	
15	Retaining Washer	XEK52496 A	E06967	4	4	4	4	4	
16	Receptacle	XEK52497 A	E06968	4	4	4	4	4	
17	Rubber Bush	17E05551 A	E06969	3	3	3	3	3	

Details
(THM, Expansion Valve & Coil)



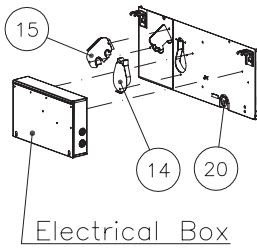
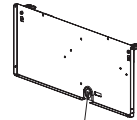
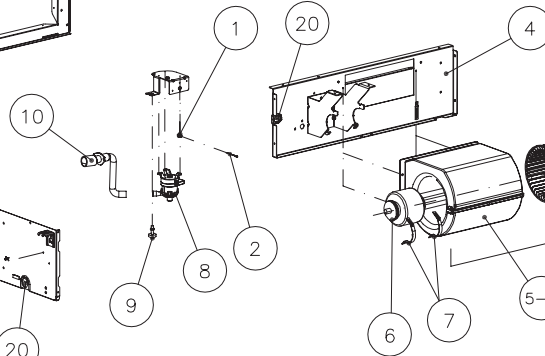
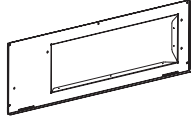
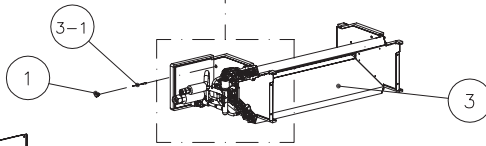
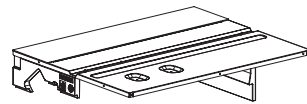
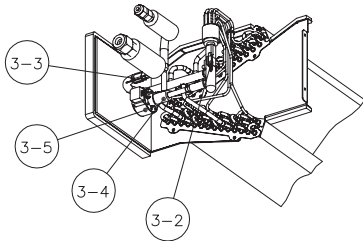
No.	DESCRIPTION	DWG No.	PART No.	MODEL NAME								REMARKS
				RPI-1.5FSRE, ~ 230V 50HZ	RPI-2.0FSRE, ~ 230V 50HZ	RPI-2.5FSRE, ~ 230V 50HZ	RPI-3.0FSRE, ~ 230V 50HZ	RPI-4.0FSRE, ~ 230V 50HZ	RPI-5.0FSRE, ~ 230V 50HZ	RPI-6.0FSRE, ~ 230V 50HZ		
				PRODUCT CODE								
				7E426015	7E426016	7E426017	7E426018	7E426020	7E426021	7E426022		
1	Rubber Bush	17E19542 A	E05454	2	2	2	2	2	2	2		
2	Thermistor	17B49527 T	E06970	1	1	1	1	1	1	1	For Inlet Air	
3	Heat Exchanger	XEK27064 A	E06880	1							Assembly (No.1 Rubber Bush x 1 Included)	
3	Heat Exchanger	XEK27064 B	E06881		1						Assembly (No.1 Rubber Bush x 1 Included)	
3	Heat Exchanger	XEK27065 A	E06882			1	1				Assembly (No.1 Rubber Bush x 1 Included)	
3	Heat Exchanger	XEK27067 A	E06883					1			Assembly (No.1 Rubber Bush x 1 Included)	
3	Heat Exchanger	XEK27067 B	E06884						1	1	Assembly (No.1 Rubber Bush x 1 Included)	
3-1	Thermistor	17B49527 V	E06971	1	1	1	1	1	1	1	For Outlet Air	
3-2	Thermistor	17B42636 K	E06957	1	1	1	1	1	1	1	For Liquid Pipe	
3-3	Thermistor	17B42635 K	E06958	1	1	1	1	1	1	1	For Gas Pipe	
3-4	Expansion Valve	X17F04391 A	E03076	1	1						(Without Coil)	
3-4	Expansion Valve	X17F04392 A	E03077			1	1	1			(Without Coil)	
3-4	Expansion Valve	X17F04393 A	E03078						1	1	(Without Coil)	
3-5	Expansion Valve Coil	XEK27212 B	E06915	1	1	1	1	1	1	1		
4	Fan Stay	XEK27057 A	E07024	1	1						(Plate + Motor Base)	
4	Fan Stay	XEK27058 A	E07025			1	1				(Plate + Motor Base)	
4	Fan Stay	XEK27058 B	E07026					1	1	1	(Plate + Motor Base)	
5	Runner-Fan Casing Assy	XEK52377 A	E06912	1	1	2	2	2	2	2	(Fan Casing + Runner)	
5-1	Runner	XEK12290 A	E04355	1	1	2	2	2	2	2		
5-2	Fan Casing	XEK52683 A	E06972	1	1	2	2	2	2	2	(Lower & Upper Side)	
6	Fan Motor	XEK13261 A	E06919	1	1							
6	Fan Motor	XEK13262 A	E06920			1	1					
6	Fan Motor	XEK13263 A	E06921					1	1	1		
7	Fixing Bracket	-	E06961	2	2	2	2	2	2	2		
8	Drain Pump	XEK13312 B	E06916	1	1	1	1	1	1	1	Discharge Mechanism	
9	Float Switch	XEK13313 B	E06917	1	1	1	1	1	1	1		
10	Drain Hose Assy	XEK52323 A	E06974	1	1	1	1	1	1	1	Assembly	
11	Drain Pan Unit	XEK27089 A	E06893	1	1						Assembly	
11	Drain Pan Unit	XEK27089 B	E06894			1	1				Assembly	
11	Drain Pan Unit	XEK27089 C	E06895					1	1	1	Assembly	
12	Back Bottom Assy	XEK27095 A	E06899	1	1						(Plate + Insulations)	
12	Back Bottom Assy	XEK27095 B	E06900			1	1				(Plate + Insulations)	
12	Back Bottom Assy	XEK27095 C	E06901					1	1	1	(Plate + Insulations)	
13	Front Bottom Assy	XEK27271 A	E06904	1	1						(Plate + Insulations)	
13	Front Bottom Assy	XEK27092 A	E06905			1	1				(Plate + Insulations)	

PRODUCT CODE	7E426015
	7E426016
	7E426017
	7E426018
	7E426020
	7E426021
	7E426022
	MODEL NAME
RPI-1.5FSRE; ~ 230V 50HZ	
RPI-2.0FSRE; ~ 230V 50HZ	
RPI-2.5FSRE; ~ 230V 50HZ	
RPI-3.0FSRE; ~ 230V 50HZ	
RPI-4.0FSRE; ~ 230V 50HZ	
RPI-5.0FSRE; ~ 230V 50HZ	
RPI-6.0FSRE; ~ 230V 50HZ	

No.	DESCRIPTION	DWG No.	PART No.	Qty	Qty	Qty	Qty	Qty	Qty	Qty	REMARKS
13	Front Bottom Assy	XEK27094 A	E06906					1	1	1	(Plate + Insulations)
14	Drain Service Stay Assy	XEK50515 A	E05503	1	1	1	1	1	1	1	(Plate + Insulations)
15	Valve Stay Assy	XEK50514 A	E05502	1	1	1	1	1	1	1	(Plate + Insulations)
16	Back Cover Assy	XEK27078 A	E06908	1	1						Assembly (No.17 Locking Bolt x 4, No.18 Retaining Whaser x 4, No.19 Receptacle x 4 Included)
16	Back Cover Assy	XEK27078 B	E06909			1	1				Assembly (No.17 Locking Bolt x 4, No.18 Retaining Whaser x 4, No.19 Receptacle x 4 Included)
16	Back Cover Assy	XEK26891 B	E06911					1	1	1	Assembly (No.17 Locking Bolt x 6, No.18 Retaining Whaser x 6, No.19 Receptacle x 6 Included)
16-1	Back Cover	XEK27159 A	E06975	1	1						Plate
16-1	Back Cover	XEK27160 A	E06976			1	1				Plate
16-1	Back Cover	XEK27161 A	E06977					1	1	1	Plate
16-2	Filter	XEK52279 A	E06887	1	1						
16-2	Filter	XEK52280 B	E06890			1	1				
16-2	Filter	XEK52280 A	E06889					1	1	1	
16-3	Stay Assy	XEK52681 B	E06979	1	1						Assembly (Stay with No. 17 Locking Bolt x 2, No.18 Retaining Washer x 2 Included)
16-3	Stay Assy	XEK52685 A	E06980			1	1				Assembly (Stay with No. 17 Locking Bolt x 2, No.18 Retaining Washer x 2 Included)
16-3	Stay Assy	XEK52686 A	E06981					1	1	1	Assembly (Stay with No. 17 Locking Bolt x 4, No.18 Retaining Washer x 4 Included)
16-4	Frame Assy	XEK52682 B	E06978	1	1	1	1	1	1	1	Assembly (Frame with No. 17 Locking Bolt x 2, No.18 Retaining Washer x 2 Included)
17	Locking Bolt	XEK52495 A	E06966	4	4	4	4	6	6	6	
18	Retaining Washer	XEK52496 A	E06967	4	4	4	4	6	6	6	
19	Receptacle	XEK52497 A	E06968	4	4	4	4	6	6	6	
20	Rubber Bush	17E05551 A	E06969	3	3	2	2	2	2	2	

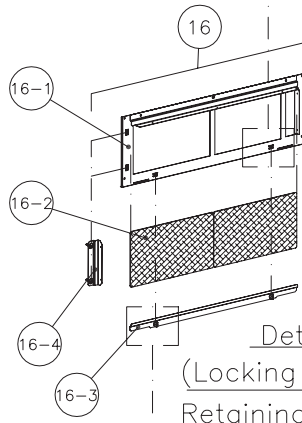
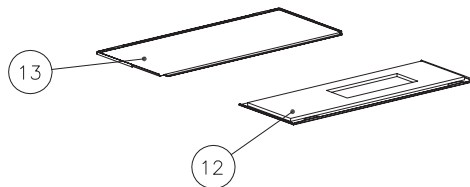
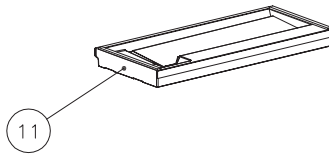
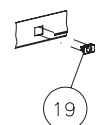
Details

(THM, Expansion Valve & Coil)

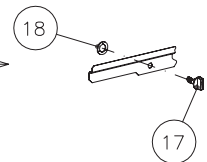


Electrical Box

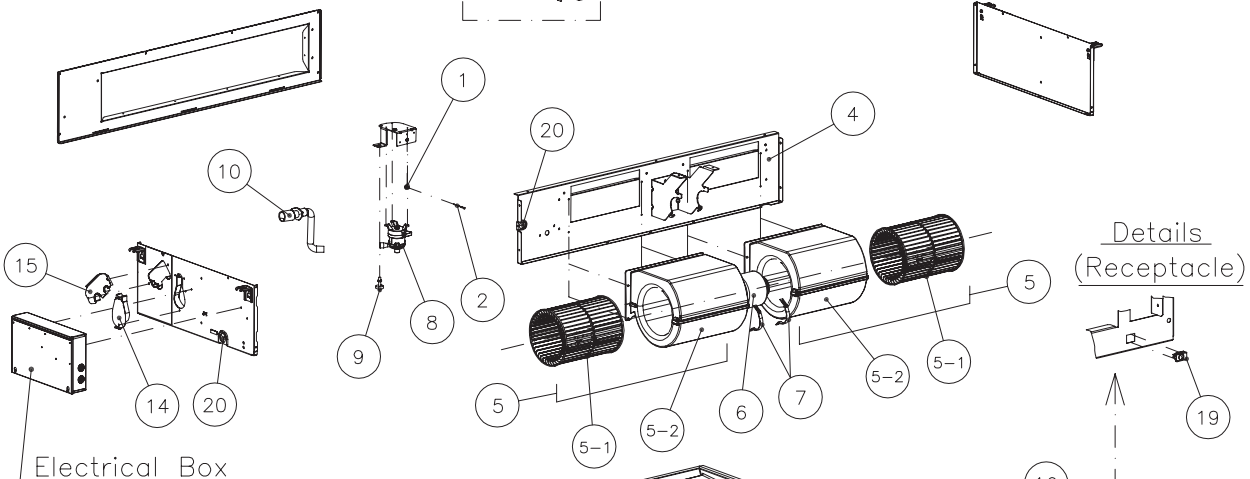
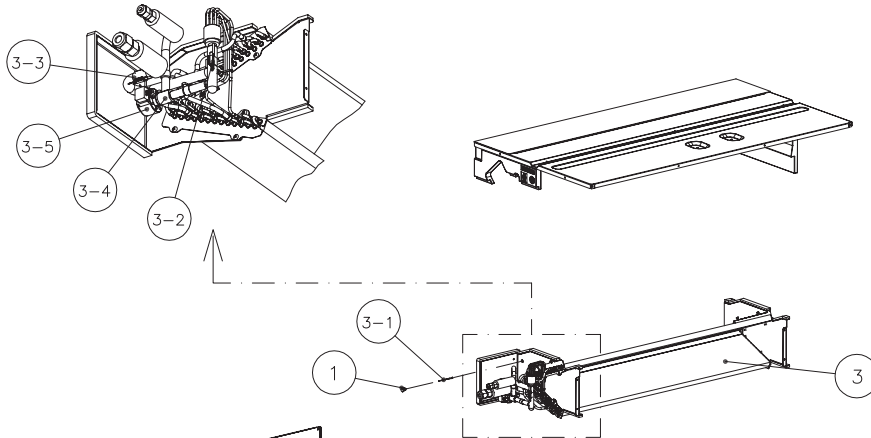
Details
(Receptacle)



Details
(Locking Bolt & Retaining Washer)

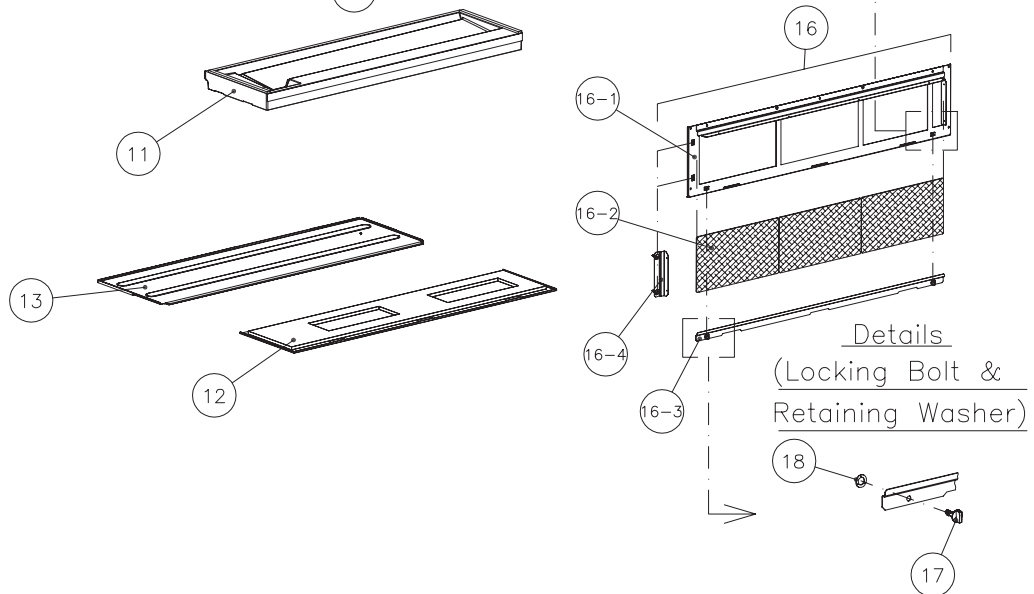


Details
(THM, Expansion Valve & Coil)



Electrical Box

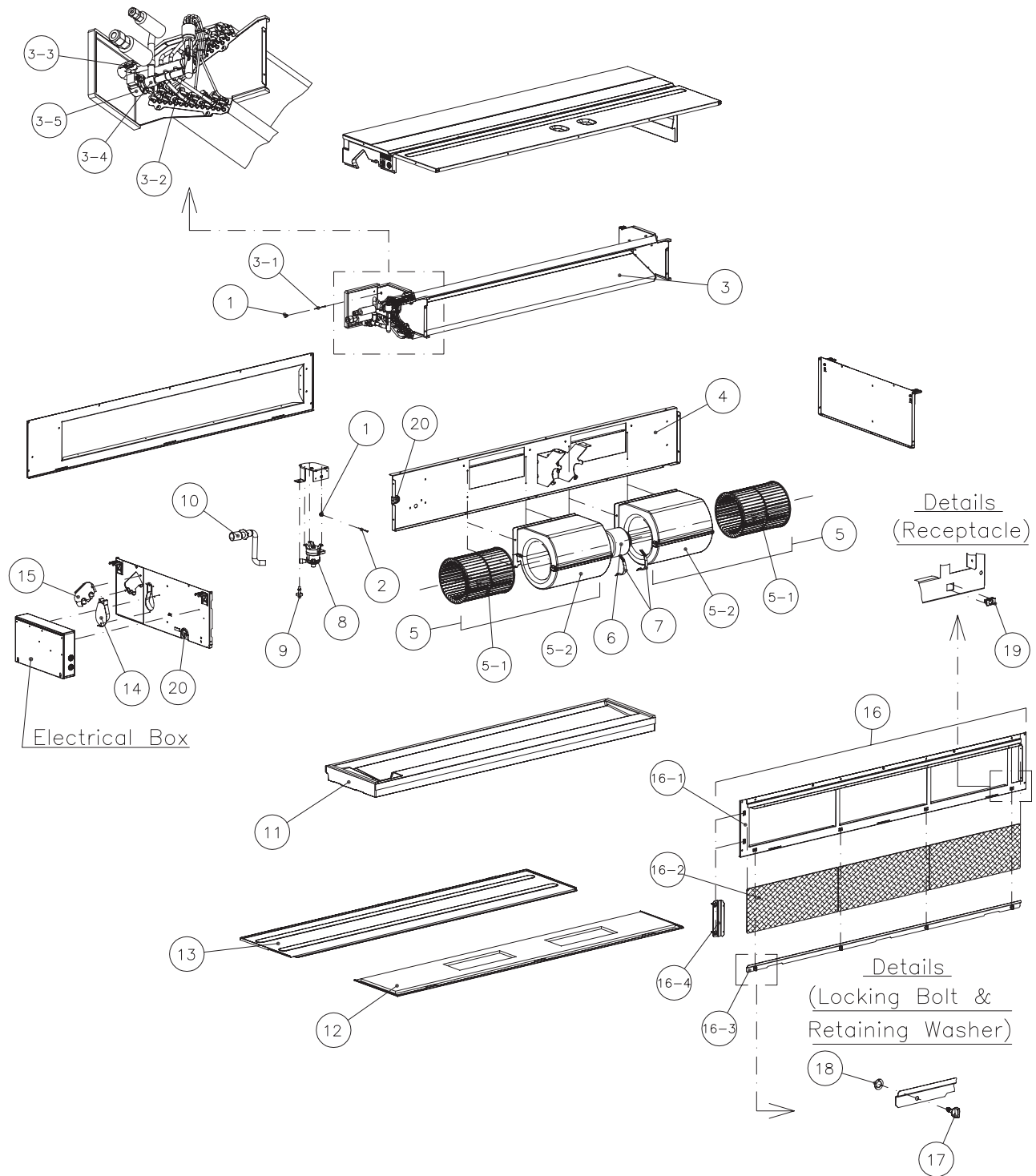
Details
(Receptacle)



Details
(Locking Bolt & Retaining Washer)

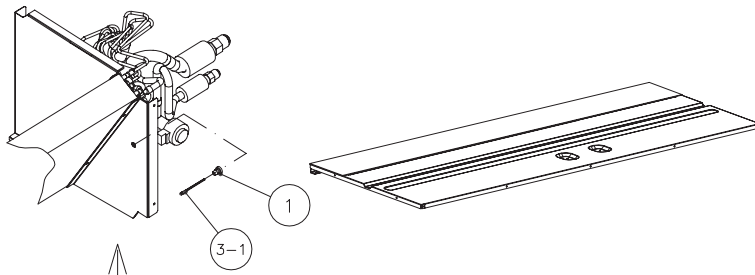
Details

(THM, Expansion Valve & Coil)

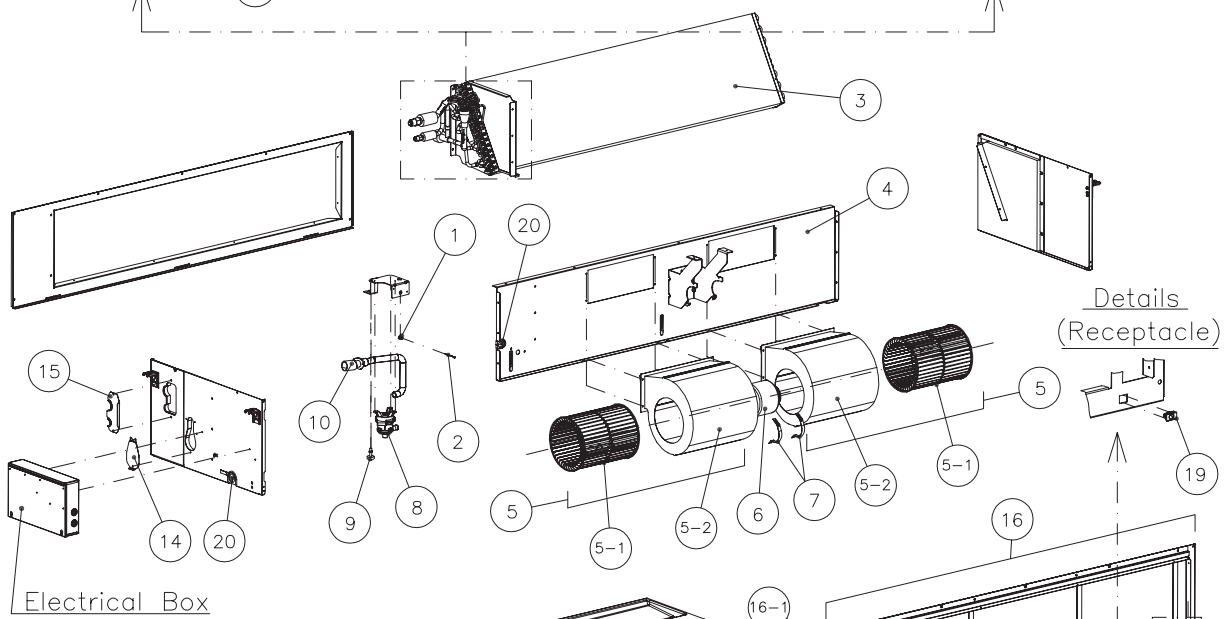
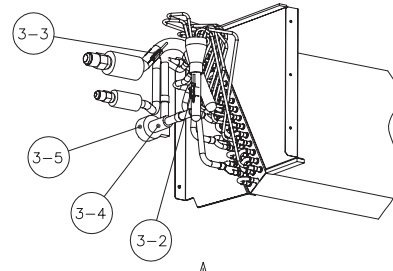


No.	DESCRIPTION	DWG No.	PART No.	MODEL NAME			REMARKS
				RPIH-4.0FSRE, ~ 230V 50Hz	RPIH-5.0FSRE, ~ 230V 50Hz	RPIH-6.0FSRE, ~ 230V 50Hz	
				PRODUCT CODE			
				7E426007	7E426008	7E426009	
1	Rubber Bush	17E19542 A	E05454	2	2	2	
2	Thermistor	17B49527 T	E06970	1	1	1	For Inlet Air
3	Heat Exchanger	XEK13230 A	E06885	1			Assembly (No.1 Rubber Bush x 1 Included)
3	Heat Exchanger	XEK13230 B	E06886		1	1	Assembly (No.1 Rubber Bush x 1 Included)
3-1	Thermistor	17B49527 V	E06971	1	1	1	For Outlet Air
3-2	Thermistor	17B42636 K	E06957	1	1	1	For Liquid Pipe
3-3	Thermistor	17B42635 K	E06958	1	1	1	For Gas Pipe
3-4	Expansion Valve	X17F04392 A	E03077	1			(Without Coil)
3-4	Expansion Valve	X17F04393 A	E03078		1	1	(Without Coil)
3-5	Expansion Valve Coil	XEK27212 B	E06915	1	1	1	
4	Fan Stay	XEK26888 A	E07027	1	1	1	(Plate + Motor Base)
5	Runner-Fan Casing Assy	XEK39400 A	E04358	2	2	2	(Fan Casing + Runner)
5-1	Runner	XEK12290 A	E04355	2	2	2	
5-2	Fan Casing	XEK52684 A	E06973	2	2	2	(Lower & Upper Side)
6	Fan Motor	XEK13263 A	E06921	1	1	1	
7	Fixing Bracket	-	E06961	2	2	2	For Fan Motor
8	Drain Pump	XEK13312 B	E06916	1	1	1	Discharge Mechanism
9	Float Switch	XEK13313 B	E06917	1	1	1	
10	Drain Hose Assy	XEK50302 A	E06984	1	1	1	Assembly
11	Drain Pan Unit	XEK27346 A	E07021	1	1	1	Assembly
12	Back Bottom Assy	XEK27097 A	E06902	1	1	1	(Plate + Insulations)
13	Front Bottom Assy	XEK27094 A	E06906	1	1	1	(Plate + Insulations)
14	Drain Service Stay Assy	XEK50515 A	E05503	1	1	1	(Plate + Insulations)
15	Valve Stay Assy	XEK50514 A	E05502	1	1	1	(Plate + Insulations)
16	Back Cover Assy	XEK26891 A	E06910	1	1	1	Assembly (No.17 Locking Bolt x 6, No.18 Retaining Whaser x 6, No.19 Receptacle x 6 Included)
16-1	Back Cover	XEK27162 A	E06983	1	1	1	Plate
16-2	Filter	XEK52280 C	E06891	1	1	1	
16-3	Stay Assy	XEK52686 A	E06981	1	1	1	Assembly (Stay with No. 17 Locking Bolt x 4, No.18 Retaining Washer x 4 Included)
16-4	Frame Assy	XEK52682 C	E06982	1	1	1	Assembly (Frame with No. 17 Locking Bolt x 2, No.18 Retaining Washer x 2 Included)
17	Locking Bolt	XEK52495 A	E06966	6	6	6	
18	Retaining Washer	XEK52496 A	E06967	6	6	6	
19	Receptacle	XEK52497 A	E06968	6	6	6	
20	Rubber Bush	17E05551 A	E06969	2	2	2	

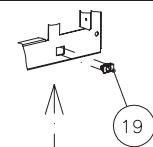
Details
(Rubber Bush & THM)



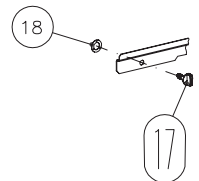
Details
(THM, Expansion Valve & Coil)



Details
(Receptacle)



Details
(Locking Bolt & Retaining Washer)



No.	DESCRIPTION	DWG No.	PART No.	PRODUCT CODE																REMARKS														
				MODEL NAME																														
				RPIL-0.4FSRE, ~ 230V 50HZ	RPIL-0.6FSRE, ~ 230V 50HZ	RPIL-0.8FSRE, ~ 230V 50HZ	RPIL-1.0FSRE, ~ 230V 50HZ	RPIL-1.5FSRE, ~ 230V 50HZ	RPIL-1.5FSRE, ~ 230V 50HZ	RPIL-2.0FSRE, ~ 230V 50HZ	RPIL-2.5FSRE, ~ 230V 50HZ	RPIL-3.0FSRE, ~ 230V 50HZ	RPIL-4.0FSRE, ~ 230V 50HZ	RPIL-5.0FSRE, ~ 230V 50HZ	RPIL-6.0FSRE, ~ 230V 50HZ	RPIH-4.0FSRE, ~ 230V 50HZ	RPIH-5.0FSRE, ~ 230V 50HZ	RPIH-6.0FSRE, ~ 230V 50HZ																
1	Remote Control SW	70510003	E04714	1	1	1	1	1	1	1	1	1	1	1	1	1	1	1	PC-ARFPE															
2	Electrical Box	XEK13288 A	E06922	1															Assembly (Components + Harness)															
2	Electrical Box	XEK13288 B	E06923		1														Assembly (Components + Harness)															
2	Electrical Box	XEK13288 C	E06924			1													Assembly (Components + Harness)															
2	Electrical Box	XEK13288 D	E06925				1												Assembly (Components + Harness)															
2	Electrical Box	XEK13288 E	E06926					1											Assembly (Components + Harness)															
2	Electrical Box	XEK13288 J	E06930						1										Assembly (Components + Harness)															
2	Electrical Box	XEK13288 K	E06931							1									Assembly (Components + Harness)															
2	Electrical Box	XEK13288 L	E06932								1								Assembly (Components + Harness)															
2	Electrical Box	XEK13288 M	E06933									1							Assembly (Components + Harness)															
2	Electrical Box	XEK13288 N	E06934										1						Assembly (Components + Harness)															
2	Electrical Box	XEK13288 P	E06935											1					Assembly (Components + Harness)															
2	Electrical Box	XEK13288 Q	E06936												1				Assembly (Components + Harness)															
2	Electrical Box	XEK13288 F	E06927													1			Assembly (Components + Harness)															
2	Electrical Box	XEK13288 G	E06928														1		Assembly (Components + Harness)															
2	Electrical Box	XEK13288 H	E06929															1	Assembly (Components + Harness)															
2-1	Spacer	XEK30992 B	E04603	6	6	6	6	6	6	6	6	6	6	6	6	6	6	6	For Fixing PCB															
2-2	PCB	XEK52155 C	E07022	1	1	1	1	1								1	1	1	(PI161)															
2-2	PCB	XEK52155 B	E06746						1	1	1	1	1	1	1				(PI161)															
2-3	Terminal Board	XEK27242 A	E06937	1	1	1	1	1	1	1	1	1	1	1	1	1	1	1	TB1 (POWER)															
2-4	Terminal Board	X17B42182 C	E06151	1	1	1	1	1	1	1	1	1	1	1	1	1	1	1	TB2 (CONTROL)															
2-5	Rubber Bush	17E05551 A	E06969	1	1	1	1	1	1	1	1	1	1	1	1	1	1	1																
3	E-Box Cover Assy	XEK26893 A	E06897	1	1	1	1	1	1	1	1	1	1	1	1	1	1	1	Plate + Labels															

Ersatzteile RPIL-0.4/0.6/0.8/1.0/1.5/2.0/2.5/3.0/4.0/5.0/6.0FSRE
RPIH-0.4/5.0/6.0FSRE



No.	DESCRIPTION	DWG No.	PART No.	MODEL NAME													REMARKS		
				Qty	Qty	Qty	Qty	Qty	Qty	Qty	Qty	Qty	Qty	Qty	Qty	Qty			
				PRODUCT CODE															
				RPIL-0.4FSRE, ~ 230V 50HZ	RPIL-0.6FSRE, ~ 230V 50HZ	RPIL-0.8FSRE, ~ 230V 50HZ	RPIL-1.0FSRE, ~ 230V 50HZ	RPIL-1.5FSRE, ~ 230V 50HZ	RPIL-1.5FSRE, ~ 230V 50HZ	RPIL-2.0FSRE, ~ 230V 50HZ	RPIL-2.5FSRE, ~ 230V 50HZ	RPIL-3.0FSRE, ~ 230V 50HZ	RPIL-4.0FSRE, ~ 230V 50HZ	RPIL-5.0FSRE, ~ 230V 50HZ	RPIL-6.0FSRE, ~ 230V 50HZ	RPIH-4.0FSRE, ~ 230V 50HZ	RPIH-5.0FSRE, ~ 230V 50HZ	RPIH-6.0FSRE, ~ 230V 50HZ	
7E426048																			
7E426037																			
7E426013																			
7E426014																			
7E426002																			
7E426015																			
7E426016																			
7E426017																			
7E426018																			
7E426020																			
7E426021																			
7E426022																			
7E426007																			
7E426008																			
7E426009																			
1	Remote Control SW	70510003	E04714	1	1	1	1	1	1	1	1	1	1	1	1	1	1	1	PC-ARFPE
2	Electrical Box	XEK13288 A	E06922	1															Assembly (Components + Harness)
2	Electrical Box	XEK13288 B	E06923		1														Assembly (Components + Harness)
2	Electrical Box	XEK13288 C	E06924			1													Assembly (Components + Harness)
2	Electrical Box	XEK13288 D	E06925				1												Assembly (Components + Harness)
2	Electrical Box	XEK13288 E	E06926					1											Assembly (Components + Harness)
2	Electrical Box	XEK13288 J	E06930						1										Assembly (Components + Harness)
2	Electrical Box	XEK13288 K	E06931							1									Assembly (Components + Harness)
2	Electrical Box	XEK13288 L	E06932								1								Assembly (Components + Harness)
2	Electrical Box	XEK13288 M	E06933									1							Assembly (Components + Harness)
2	Electrical Box	XEK13288 N	E06934										1						Assembly (Components + Harness)
2	Electrical Box	XEK13288 P	E06935											1					Assembly (Components + Harness)
2	Electrical Box	XEK13288 Q	E06936												1				Assembly (Components + Harness)
2	Electrical Box	XEK13288 F	E06927													1			Assembly (Components + Harness)
2	Electrical Box	XEK13288 G	E06928														1		Assembly (Components + Harness)
2	Electrical Box	XEK13288 H	E06929															1	Assembly (Components + Harness)
2-1	Spacer	XEK30992 B	E04603	6	6	6	6	6	6	6	6	6	6	6	6	6	6	6	For Fixing PCB
2-2	PCB	XEK52155 C	E07022	1	1	1	1	1								1	1	1	(PI161)
2-2	PCB	XEK52155 B	E06746						1	1	1	1	1	1	1				(PI161)
2-3	Terminal Board	XEK27242 A	E06937	1	1	1	1	1	1	1	1	1	1	1	1	1	1	1	TB1 (POWER)
2-4	Terminal Board	X17B42182 C	E06151	1	1	1	1	1	1	1	1	1	1	1	1	1	1	1	TB2 (CONTROL)
2-5	Rubber Bush	17E05551 A	E06969	1	1	1	1	1	1	1	1	1	1	1	1	1	1	1	
3	E-Box Cover Assy	XEK26893 A	E06897	1	1	1	1	1	1	1	1	1	1	1	1	1	1	1	Plate + Labels

