

PRODUCT
CODE
7E476018

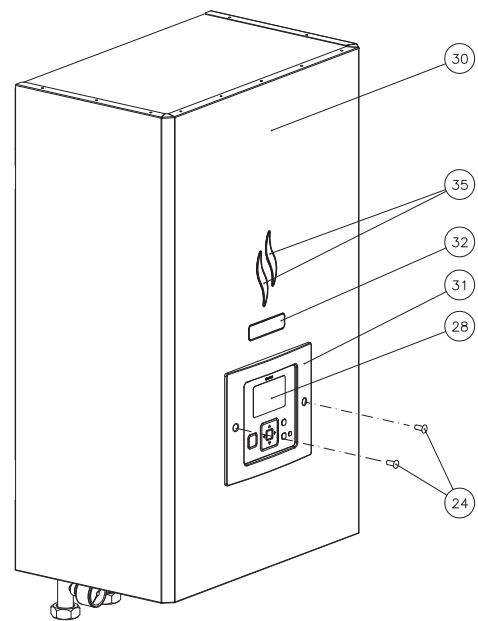
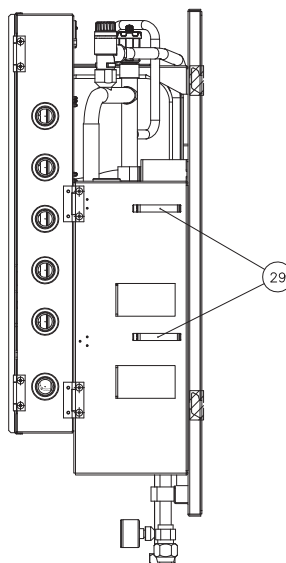
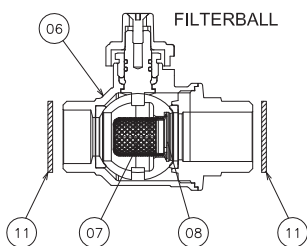
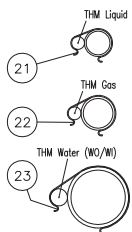
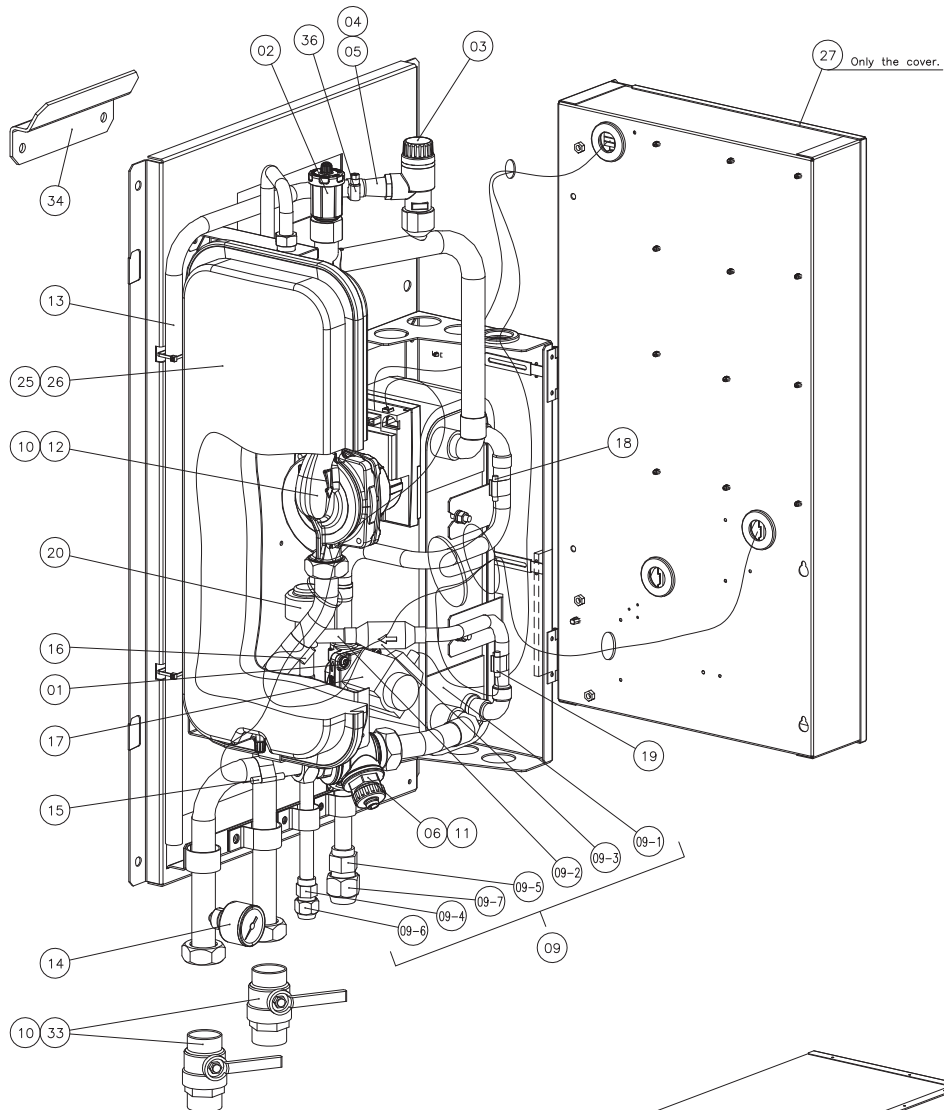
MODEL NAME
RWLT-3.0VN1E,1~ 230V 50Hz

No.	DESCRIPTION	DWG No.	PART No.	Qty	REMARKS
1	Solenoid Valve	XEK38196 A	E05261	1	Before Serial N° 4NE41028
1	Solenoid Valve	17C68788 A	P24171	1	From Serial N° 4NE41028
2	Air Purge	XEK38252 A	E04040	1	
3	Security Valve	XEK37800 A	E02475	1	
4	Gasket	XEK36144 D	E04873	1	for Union 5 to Security Valve connection.
5	Union	XEK36303 A	E02507	1	
6	Filter Ball	XEK25346 A	E04897	1	
7	Filter	XEK39398 A	E04898	1	
8	Seeger	XEK39399 A	E04899	1	
9	Phex Unit	XEK25631 A	E05249	1	Assembly; Before Serial N° 4NE41028
9	Phex Unit	XEK26947 A	E06466	1	Assembly; From Serial N° 4NE41028
9-1	Plate Hex	XEK25315 C	E04896	1	
9-2	Expansion Valve	X17F04392 A	E03077	1	
9-3	Strainer	17G62700 A	P25041	2	Before Serial N° 4PE39560
9-4	Union	27JR0909	E06832	1	Liquid connection.
9-5	Union	27JR1717	E02488	1	Gas connection
9-6	Flare Nut	25JR0900	E02489	1	Liquid connection.
9-7	Flare Nut	25JR1700	E02490	1	Gas connection
10	Gasket	XEK36144 B	E03832	6	for Pump and Shutdown Valves connections.
11	Gasket	XEK36397 A	E02528	2	for FilterBall connections.
12	Pump	XEK26262 A	E04894	1	
13	Drain Pipe	XEK36103 A	E02546	1	
14	Manometer	XEK39269 A	E05014	1	
15	Thermistor Assy 1	XEK26451 A	E04903	1	Water In THM.
16	Thermistor Assy 1	XEK26451 F	E04904	1	Water Out THM.
17	HRN SV Coil	XEK50421 A	E05262	1	Before Serial N° 4NE41028
17	HRN SV Coil	XEK52294 A	E06504	1	From Serial N° 4NE41028
18	Thermistor Assy 2	XEK26430 A	E04930	1	Gas THM.
19	Thermistor Assy 2	XEK26430 G	E04993	1	Liquid THM.
20	Exp. Valve Coil	X17F04390 C	E03180	1	
21	P-Spring	X17G27651 B	E02549	1	

PRODUCT
CODE
7E476018

MODEL NAME
RWLT-3.0VN1E, 1~ 230V 50Hz

No.	DESCRIPTION	DWG No.	PART No.	Qty	REMARKS
22	P-Spring	X17G27651 C	E02550	1	
23	P-Spring	X17G31457 D	E01193	2	
24	Screw	XEK40091 A	E02501	2	
25	Gasket	XEK36144 A	E02497	1	Vessel connection.
26	Expansion Vessel (6 L)	XEK27169 A	E04893	1	
27	E-Box Cover Assy	XEK39889 A	E05247	1	Plate + Labels.
28	Remote Controller Assy	XEK39322 B	E05254	1	
29	Clamp	XEK36297 A	E02504	2	
30	Service Cover Assy	XEK25411 A	E04999	1	Assembly.
31	Lcd Frame	XEK12635 A	E04955	1	
32	Hydro Free Label	XEK50193 A	E05245	1	
33	Shutdown Valve	XEK39401 A	E05019	2	
34	Wall Support	XEK39386 A	E05018	1	
35	Flame Label	XEK39743 A	E04945	2	
36	Clamp	XEK39789 A	E05026	1	



PRODUCT
CODE

7E476021

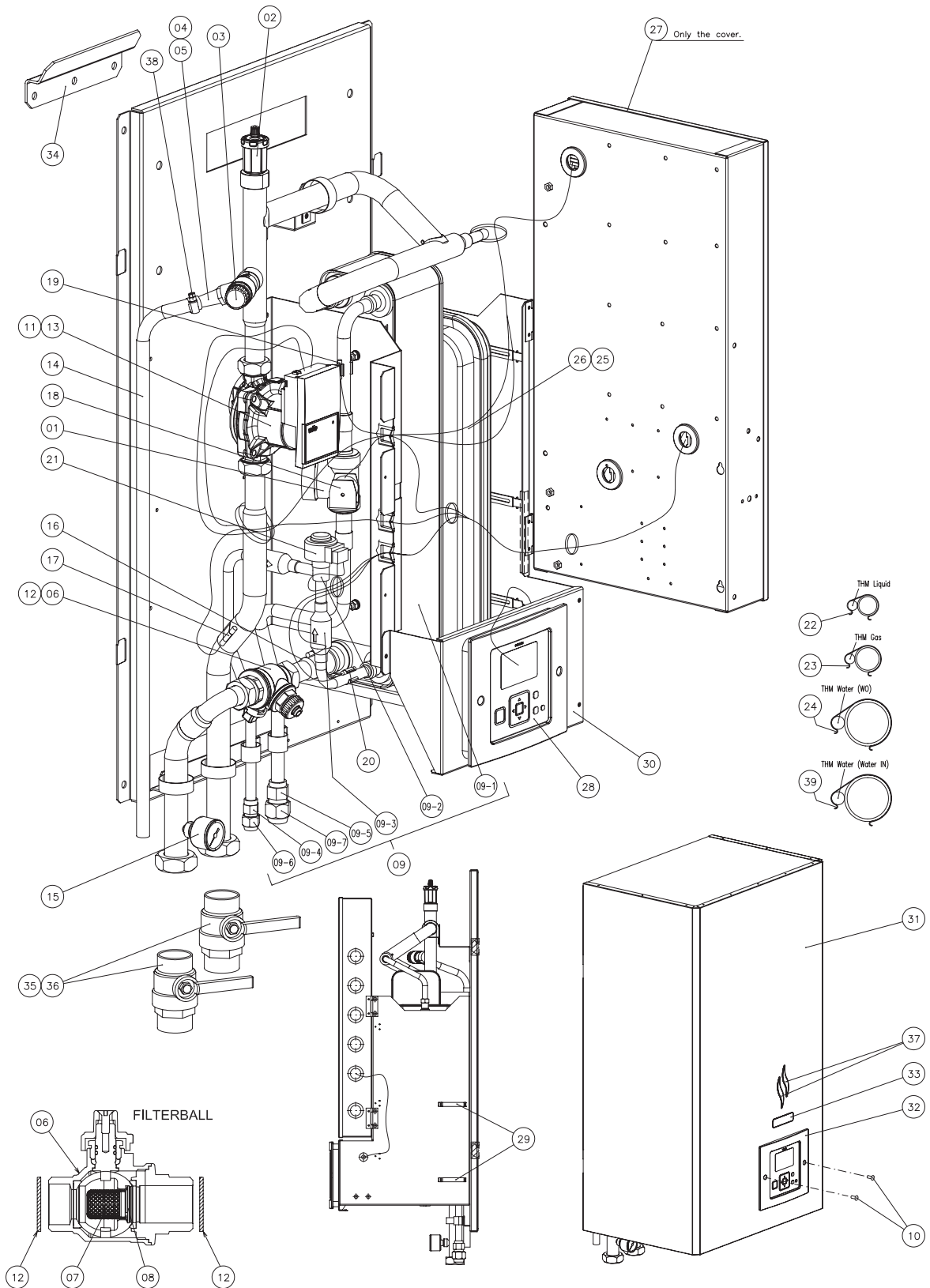
MODEL NAME

RWLT-5.0VN1E, 1~ 230V 50Hz

No.	DESCRIPTION	DWG No.	PART No.	Qty	REMARKS
1	Solenoid Valve	17C68788 A	P24171	1	
2	Air Purge	XEK38252 A	E04040	1	
3	Security Valve	XEK37800 A	E02475	1	
4	Gasket	XEK36144 D	E04873	1	for Union 5 to Security Valve connection.
5	Union	XEK36303 A	E02507	1	
6	Filter Ball	XEK25346 A	E04897	1	
7	Filter	XEK39398 A	E04898	1	
8	Seeger	XEK39399 A	E04899	1	
9	Phex Unit	XEK26618 A	E06167	1	Assembly; Before Serial N° 4PE68056
9	Phex Unit	XEK27125 A	E06541	1	Assembly; From Serial N° 4PE68056
9-1	Plate Hex	XEK25377 B	E04835	1	Before Serial N° 4PE68056
9-1	Plate Hex	XEK26502 B	E06536	1	From Serial N° 4PE68056
9-2	Expansion Valve	X17F04393 A	E03078	1	
9-3	Strainer	17G62700 A	P25041	2	Before Serial N° 4PE41924
9-4	Union	27JR0913	E02487	1	Liquid connection.
9-5	Union	27JR1717	E02488	1	Gas connection
9-6	Flare Nut	25JR0900	E02489	1	Liquid connection.
9-7	Flare Nut	25JR1700	E02490	1	Gas connection
10	Screw	XEK40091 A	E02501	2	
11	Gasket	XEK36144 B	E03832	2	for Pump connections.
12	Gasket	XEK36397 A	E02528	2	for Filter Ball connections.
13	Pump	XEK26263 A	E04837	1	
14	Drain Pipe	XEK36103 A	E02546	1	
15	Manometer	XEK39269 A	E05014	1	
16	Thermistor Assy 1	XEK26451 B	E04984	1	Water In THM.
17	Thermistor Assy 1	XEK26451 G	E04986	1	Water Out THM.
18	Coil HRN SV	XEK26334 C	E06171	1	
19	Thermistor Assy 2	XEK26430 B	E04991	1	Gas THM.
20	Thermistor Assy 2	XEK26430 H	E04994	1	Liquid THM.
21	Exp. Valve Coil	X17F04390 C	E03180	1	
22	P-Spring	X17G27651 B	E02549	1	

PRODUCT CODE
 7E476021
 MODEL NAME
 RWLT-5.0VN1E, 1~ 230V 50Hz

No.	DESCRIPTION	DWG No.	PART No.	Qty	REMARKS
23	P-Spring	X17G27651 C	E02550	1	
24	P-Spring	XEK36252 A	E02551	1	
25	Gasket	XEK36144 A	E02497	1	Vessel connection.
26	Expansion Vessel (6 L)	XEK27169 A	E04893	1	
27	E-Box Cover Assy	XEK50195 A	E05251	1	Plate + Labels.
28	Remote Controller Assy	XEK39322 B	E05254	1	
29	Clamp	XEK36297 A	E02504	2	
30	Lcd Support	XEK39519 A	E05022	1	
31	Service Cover Assy	XEK25501 A	E05004	1	Assembly.
32	Lcd Frame	XEK12635 A	E04955	1	
33	Hydro Free Label	XEK50193 A	E05245	1	
34	Wall Support	XEK36145 A	E02552	1	
35	Gasket	XEK36144 C	E04824	4	for Shutdown Valves connections.
36	Shutdown Valve	XEK39401 B	E04846	2	
37	Flame Label	XEK39743 A	E04945	2	
38	Clamp	XEK39789 A	E05026	1	
39	P-Spring	X17G31457 D	E01193	1	

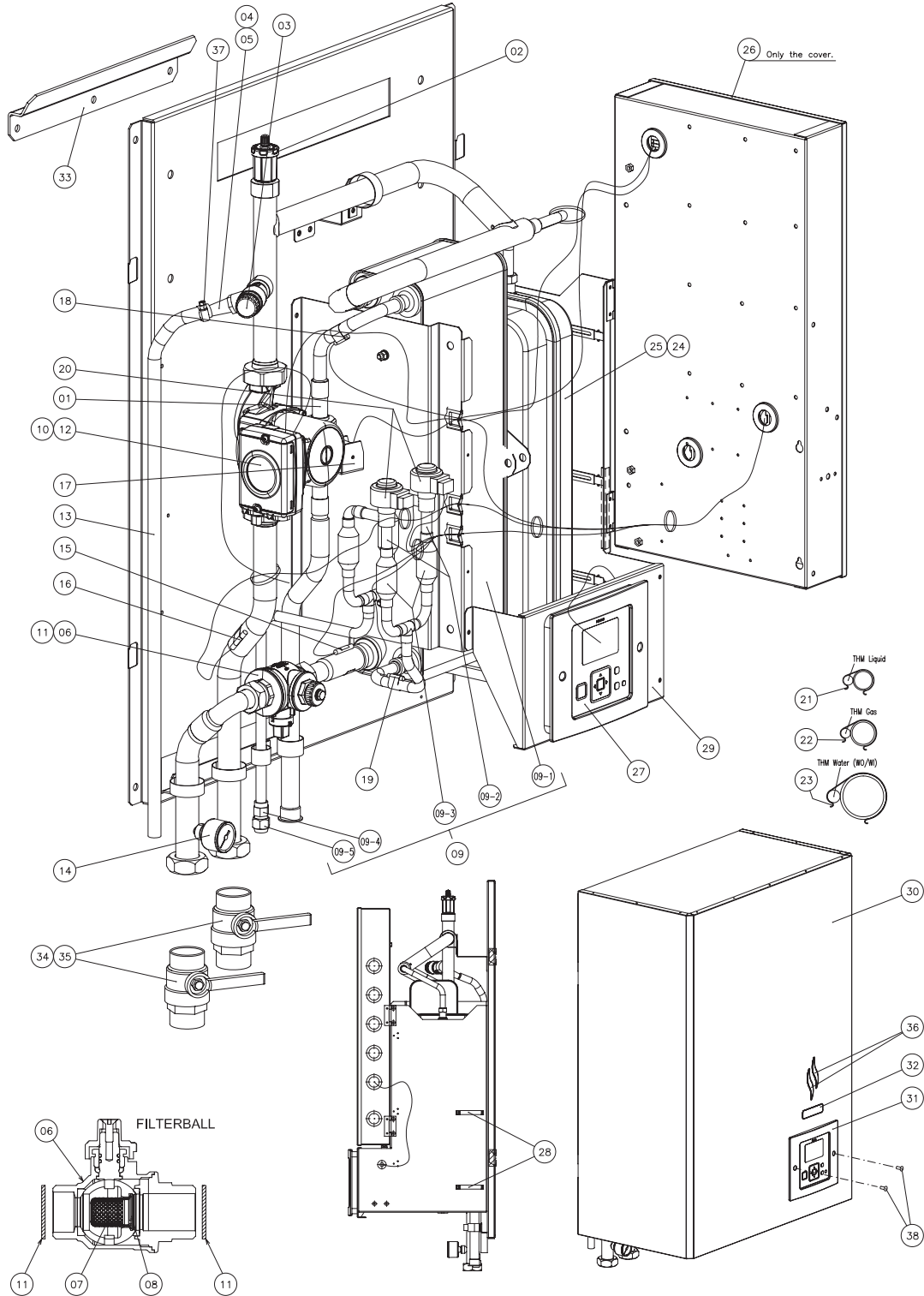


PRODUCT CODE
 7E476024
 MODEL NAME
 RWLT-10.0VN1E, 1~ 230V 50HZ

No.	DESCRIPTION	DWG No.	PART No.	Qty	REMARKS
1	Solenoid Valve	17C68788 A	P24171	1	
2	Air Purge	XEK38252 A	E04040	1	
3	Security Valve	XEK37800 A	E02475	1	
4	Gasket	XEK36144 D	E04873	1	for Union 5 to Security Valve connection.
5	Union	XEK36303 A	E02507	1	
6	Filter Ball	XEK25347 A	E04840	1	
7	Filter	XEK39398 B	E04841	1	
8	Seeger	XEK39399 B	E04842	1	
9	Phex Unit	XEK26619 A	E06168	1	Assembly; Before Serial N° 4PE39282
9	Phex Unit	XEK27126 A	E06544	1	Assembly; From Serial N° 4PE39282
9-1	Plate Hex	XEK25377 D	E04979	1	Before Serial N° 4PE39282
9-1	Plate Hex	XEK26502 D	E06538	1	From Serial N° 4PE39282
9-2	Expansion Valve	X17F04393 A	E03078	2	
9-3	Strainer	17G62700 A	P25041	4	Before Serial N°4PE25946
9-4	Union	27JR0913	E02487	1	Liquid connection.
9-5	Flare Nut	25JR0900	E02489	1	Liquid connection.
10	Gasket	XEK35682 A	E02496	2	for Pump connection.
11	Gasket	XEK36397 A	E02528	2	for Filter Ball connections.
12	Pump	XEK25344 A	E04977	1	
13	Drain Pipe	XEK36103 A	E02546	1	
14	Manometer	XEK39269 A	E05014	1	
15	Thermistor Assy 1	XEK26451 C	E04985	1	Water In THM.
16	Thermistor Assy 1	XEK26451 H	E04987	1	Water Out THM.
17	Coil HRN SV	XEK26334 C	E06171	1	
18	Thermistor Assy 2	XEK26430 C	E04992	1	Gas THM.
19	Thermistor Assy 2	XEK26430 J	E04995	1	Liquid THM.
20	Exp. Valve Coil	X17F04390 C	E03180	2	
21	P-Spring	X17G27651 B	E02549	1	
22	P-Spring	X17G31457 A	E02444	1	
23	P-Spring	XEK36252 A	E02551	2	
24	Gasket	XEK36144 A	E02497	1	Vessel connection.
25	Expansion Vessel (10 L)	XEK27170 A	E04976	1	
26	E-Box Cover Assy	XEK50195 A	E05251	1	Plate + Labels.

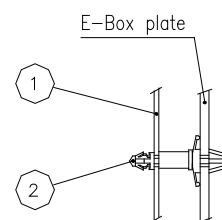
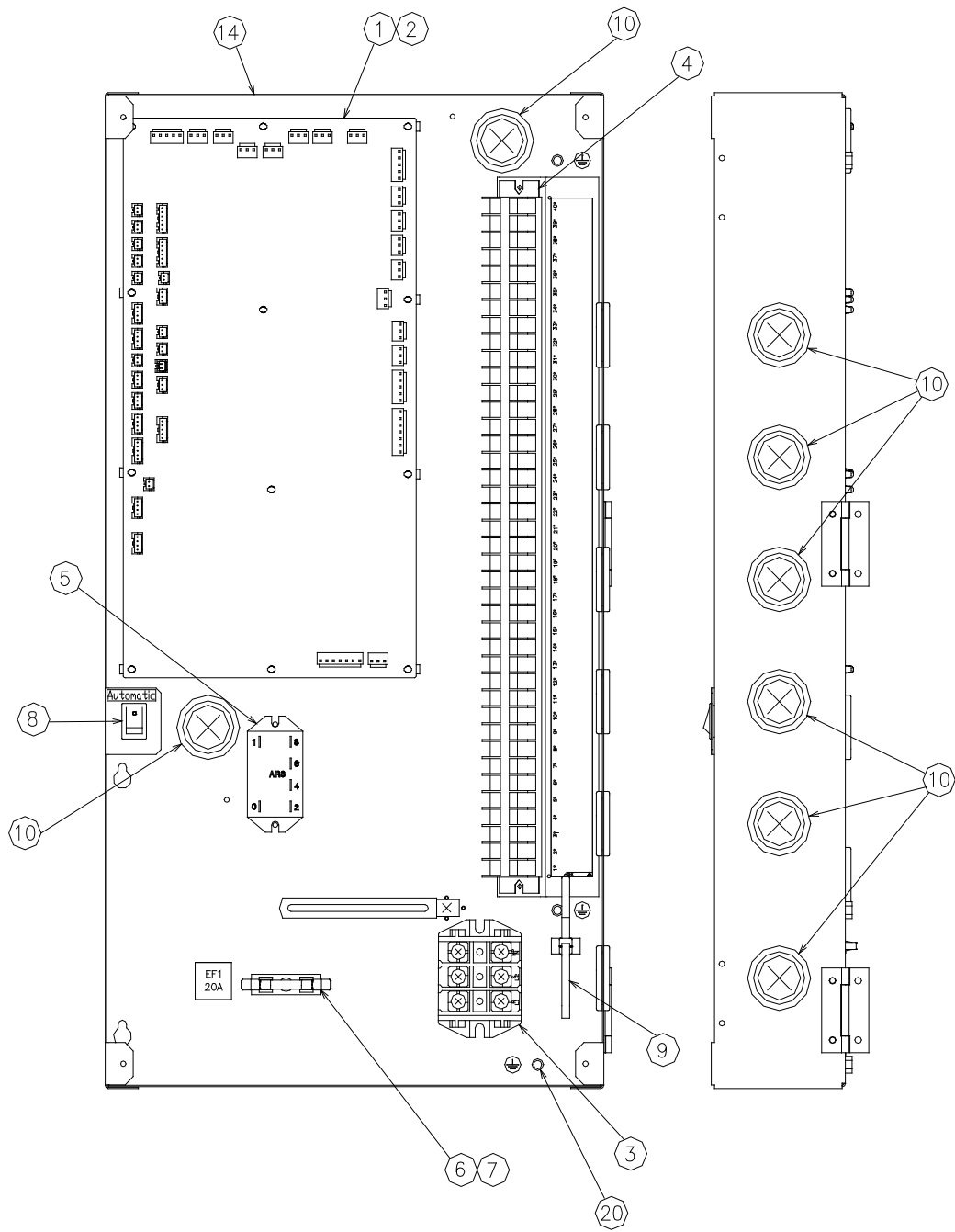
PRODUCT CODE	7E476024
MODEL NAME	RWLT-10.0VN1E; 1~ 230V 50Hz

No.	DESCRIPTION	DWG No.	PART No.	Qty	REMARKS
27	Remote Controller Assy	XEK39322 B	E05254	1	
28	Clamp	XEK36297 A	E02504	2	
29	Lcd Support	XEK39519 A	E05022	1	
30	Service Cover Assy	XEK25502 A	E05005	1	Assembly.
31	Lcd Frame	XEK12635 A	E04955	1	
32	Hydro Free Label	XEK50193 A	E05245	1	
33	Wall Support	XEK36716 A	E02790	1	
34	Gasket	XEK36144 C	E04824	4	for Shutdown Valves connections.
35	Shutdown Valve	XEK39401 B	E04846	2	
36	Flame Label	XEK39743 A	E04945	2	
37	Clamp	XEK39789 A	E05026	1	
38	Screw	XEK40091 A	E02501	2	



MODEL NAME	PRODUCT CODE
RWLT-3.0VN1E, 1~ 230V 50Hz	7E476018
RWLT-5.0VN1E, 1~ 230V 50Hz	7E476021
RWLT-10.0VN1E, 1~ 230V 50Hz	7E476024

No.	DESCRIPTION	DWG No.	PART No.	Qty	Qty	Qty	REMARKS
1	PCB	XEK50451D	E05784	1	1	1	Before Serial N° 40E50987 for RWLT-5.0VN1E and 40E31171 for RWLT-10.0VN1E
1	PCB	XEK50451 F	E06461		1	1	From Serial N° 40E50987 for RWLT-5.0VN1E and 40E31171 for RWLT-10.0VN1E
2	Spacer	XEK34315 A	E01789	12	12	12	
3	Terminal Board	X17C69651 A	E01088	1	1	1	
4	Terminal Board	X17P00835 O	E04778	1	1	1	
5	Relay	XEK39260 A	E04779	1	1	1	
6	Fuse	XEK39253 D	E04782	1	1	1	20A
7	Fuse Holder	X17C68766 A	E02516	1	1	1	
8	Rocker Switch	XEK37911 A	E03828	1	1	1	
9	Clamp	XEK31150 A	E02012	1	1	1	
10	Rubber Bush	XEK32468 A	E02060	9	9	9	
11	Electrical Box	XEK01521 D	E06172	1			Assembly (Plate + Components + Harness)
12	Electrical Box	XEK01521 E	E06173		1		Assembly (Plate + Components + Harness)
13	Electrical Box	XEK01521 F	E06174			1	Assembly (Plate + Components + Harness)
14	E-Box SubAssy	XEK25401 A	E04791	1	1	1	Only plate (without components)



PRODUCT
CODE

7E484021

MODEL NAME

RWHT-5.0VNF1E ,1~ 230V 50Hz

No.	DESCRIPTION	DWG No.	PART No.	Qty	REMARKS
1	Upper Cover	XEK39464 A	E04935	1	Insulation included
2	Side Cover L Unit	XEK39462 A	E04828	1	Insulation included
3	Side Cover R Unit	XEK39463 A	E04829	1	Insulation included
4	Base	XEK25423 A	E04830	1	
5	Service Cover Assy	XEK39440 A	E04831	1	
6	Rear Cover	XEK12578 A	E04936	1	
7	Filter	XEK37440 B	E04833	1	
8	Filter Stay	XEK39408 A	E04834	1	
9	Manometer	XEK38030 A	E03800	1	
10	Compressor	X17F08506 A	E03272	1	
11	Plate HEX	XEK25377 B	E04835	3	Before Serial N° 4PE68056
11	Plate HEX	XEK26502 B	E06536	3	From Serial N° 4PE68056
12	Pump	XEK26263 A	E04837	1	
13	HRN Power Pump Assy	XEK39359 A	E04838	1	
14	HRN Control Pump Assy	XEK39360 A	E04839	1	
15	SV Body	17C68788 A	P24171	2	
16	Filter Ball	XEK25347 A	E04840	1	
16-1	Filter	XEK39398 B	E04841	1	
16-2	Seeger	XEK39399 B	E04842	1	
17	Expansion Vessel (12L)	XEK27171 A	E04843	1	
18	P-Sensor	XEK25591 A	E04844	1	Pd
19	P-Sensor	XEK25592 A	E04845	1	Ps
20	Coil HRN SV	XEK26334 B	E06170	1	
21	Coil HRN SV	XEK26334 A	E06169	1	
22	Expansion Valve	X17F04393 A	E03078	1	1st Cycle
23	Expansion Valve	X17C73727 A	E05510	1	2nd Cycle
24	PHEX Support L	XEK25430 A	E04847	1	Before Serial N° 4PE68056
24	PHEX Support L	XEK27045 A	E06549	1	From Serial N° 4PE68056
25	PHEX Support R	XEK25431 A	E04848	1	Before Serial N° 4PE68056
25	PHEX Support R	XEK27046 A	E06550	1	From Serial N° 4PE68056
26	Acoustical Cover	XEK24694 C	E03769	1	
27	Exp. Valve Coil	X17F04390 C	E03180	1	

		MODEL NAME		PRODUCT CODE		
		RWHT-5.0VNF1E, 1~ 230V 50Hz		7E484021		
No.	DESCRIPTION	DWG No.	PART No.	Qty	REMARKS	
28	EXPV Coil	X17F08045 A	E03291	1		
29	Security Valve	XEK39309 A	E04850	1		
30	Thermistor Assy 1	XEK26451 H	E04987	1	THMw0	
31	Thermistor Assy 1	XEK26451 D	E04851	1	THMw1	
32	Thermistor Assy 2	XEK26430 E	E04853	1	THMG	
33	Thermistor Assy 2	XEK26430 L	E04854	1	THML	
34	Thermistor Assy 3	XEK26452 E	E04855	1	THMS	
35	Thermistor Assy 3	XEK26453 D	E04856	1	THMD	
36	PHEX Insulation	XEK25376 A	E04857	1		
37	Air Purge	XEK38252 A	E04040	1		
38	Check Valve	17F11142 A	P29897	2		
39	Pressure Switch	XEK36933 A	E03276	1		
40	PGC Joint	17C93010 B	P27887	2		
41	Union	XEK39391 A	E04859	1		
42	HRN Pressure Switch	XEK39460 A	E04858	1		
43	Heater Harness	XEK37970 A	E03805	1		
44	Heater Harness	XEK37970 B	E03806	1		
45	Heater Harness	XEK37970 C	E03807	1		
46	Union	27JR1717	E02488	1		
47	Shutdown Valve	XEK39401 B	E04846	2		
48	Gasket	XEK36144 C	E04824	4	Shutdown Valve Connection	
49	Vessel Support	XEK39445 A	E04862	1		
50	Strainer	17G55723 B	P26400	1		
51	Strainer	17G62700 A	P25041	2		
52	Mini Valve	XEK38297 A	E04069	1		
53	Valve Port	XEK50019 A	E05244	1		
54	Valve Port	XEK39860 A	E04864	1		
55	Check JA	X17C75461 A	E01160	2		
56	CHECK JA	X17B41177 B	E03274	3		
57	Union	27JR0913	E02487	1		
58	Flare Nut	25JR1700	E02490	1		

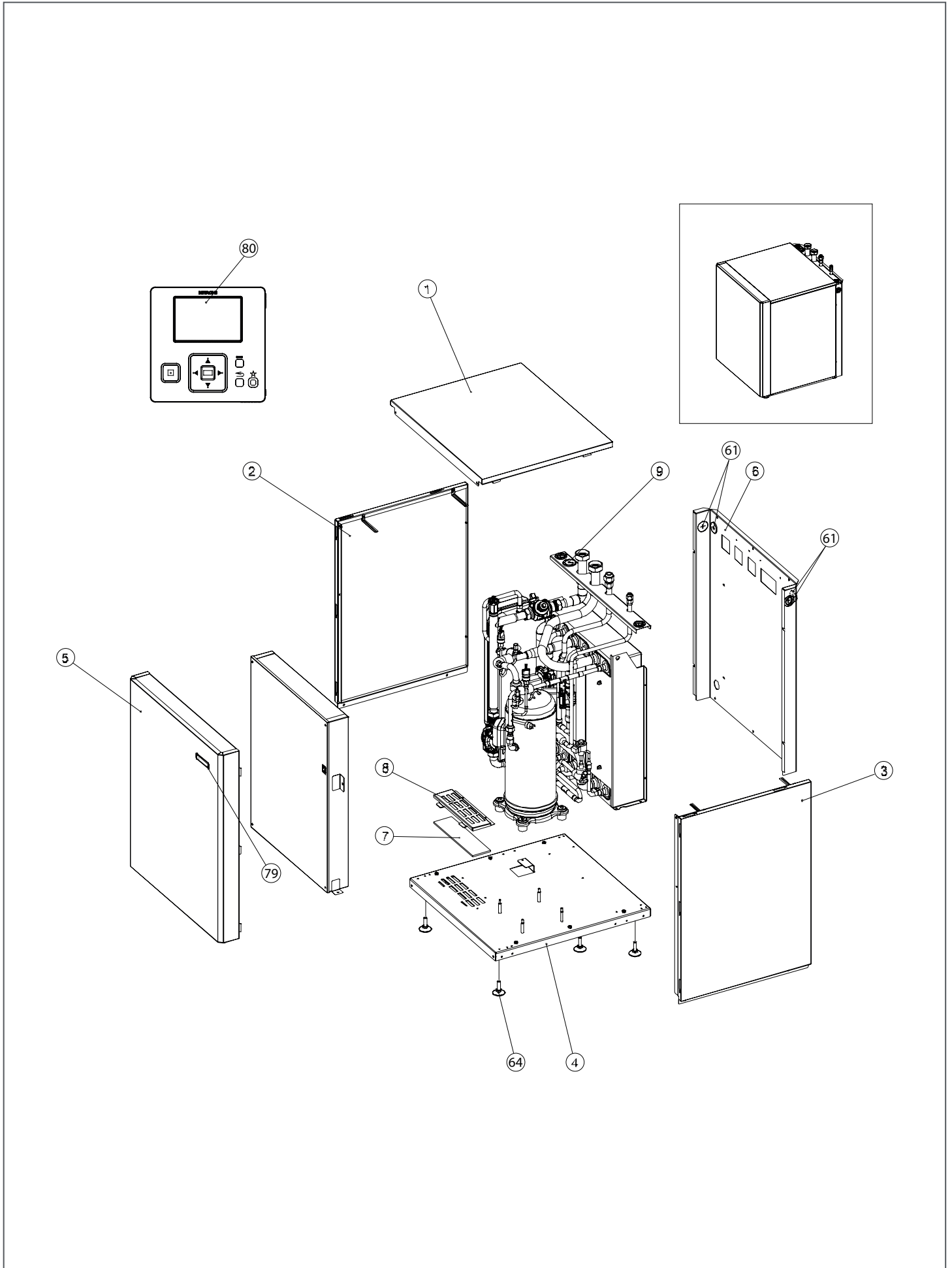
PRODUCT
CODE

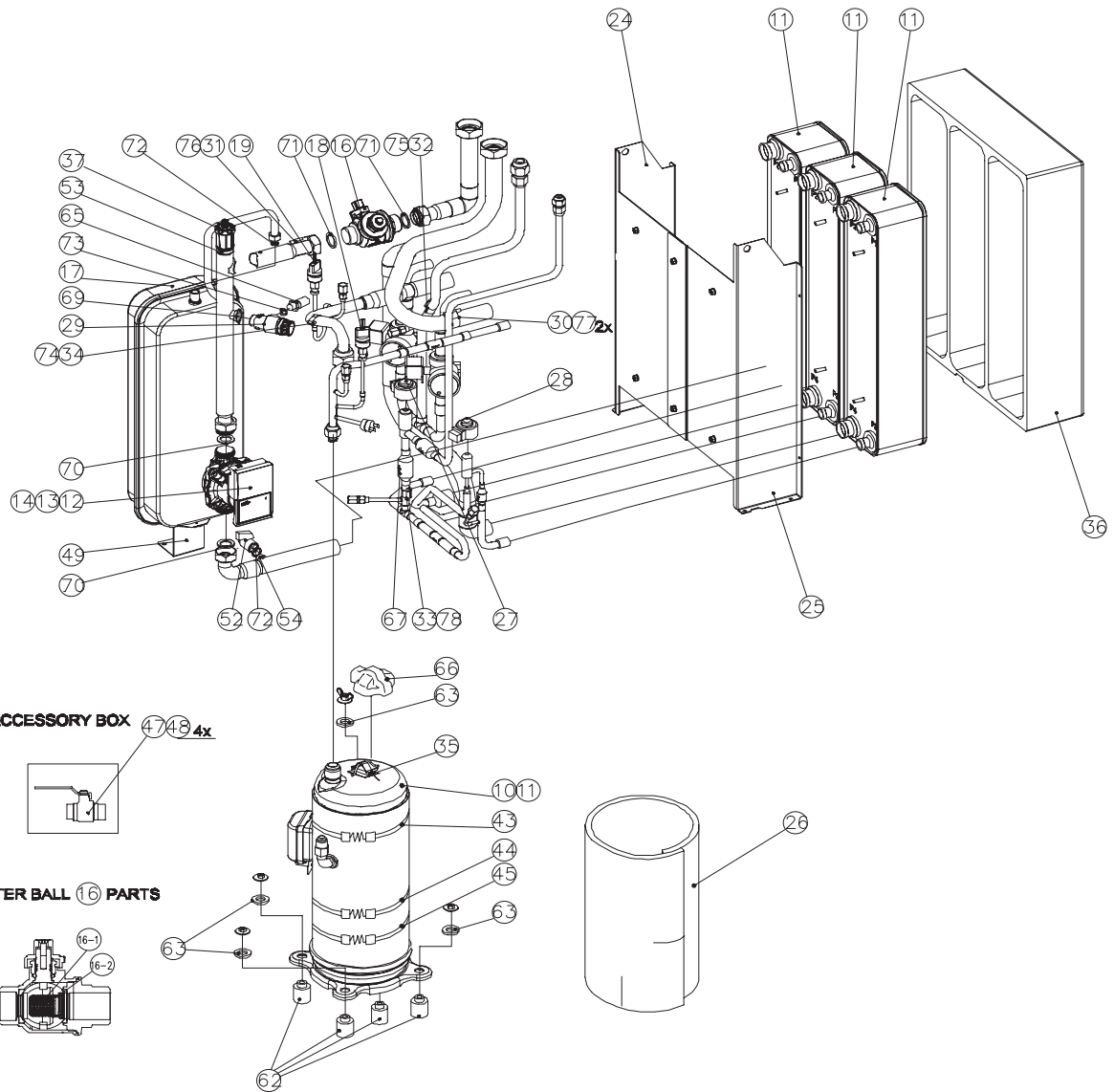
7E484021

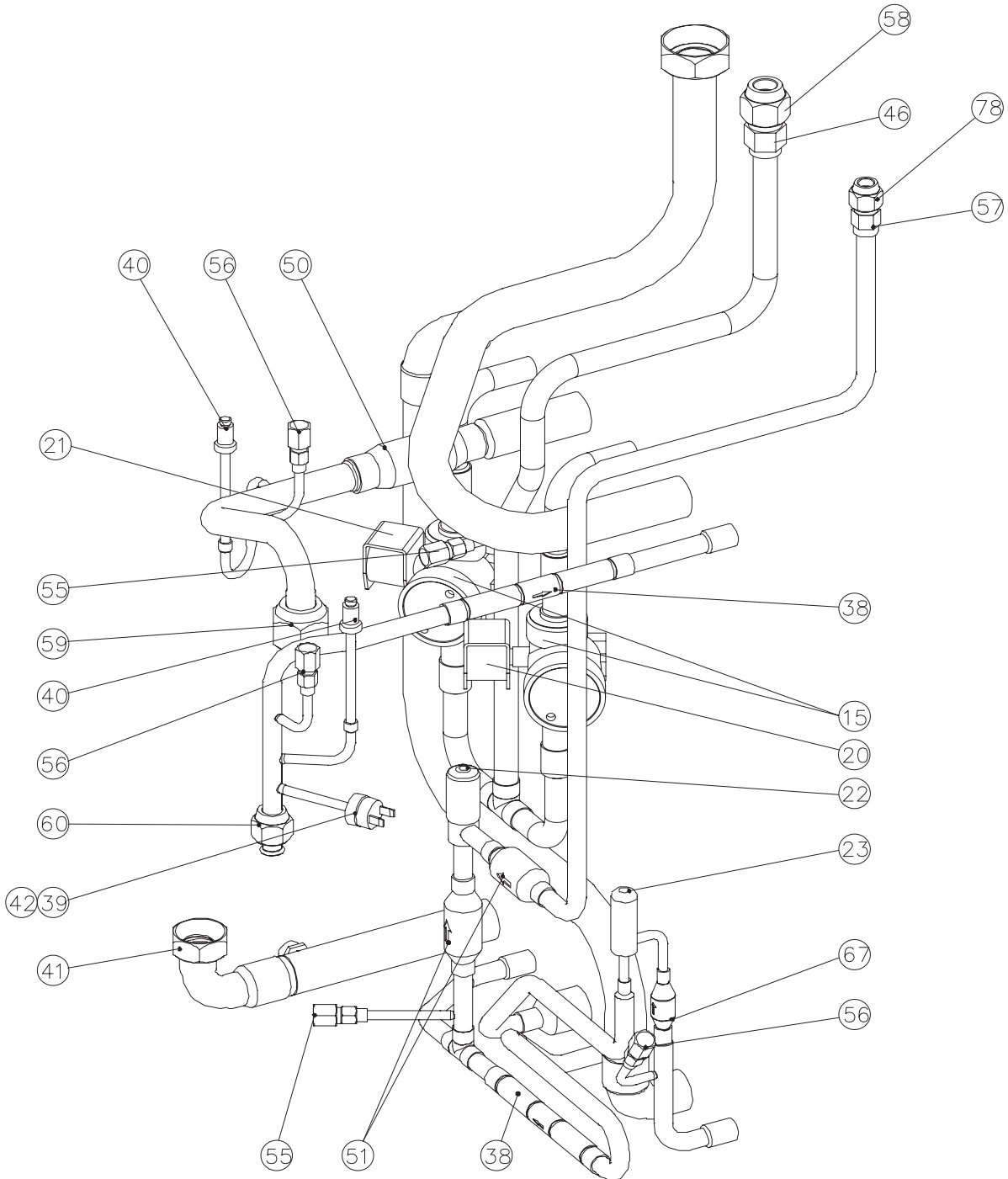
MODEL NAME

RWHT-5.0VNF1E , 1~ 230V 50Hz

No.	DESCRIPTION	DWG No.	PART No.	Qty	REMARKS
59	Flare Nut	25JR2100	E04865	1	
60	Flare Nut	25JR1300	E02776	1	
61	Rubber Bush	XEK32468 A	E02060	6	
62	V-P-Rubber 1	X17D49474 A	E00698	4	
63	V-P-Rubber 2	X17D21207 A	E00699	4	
64	Foot	XEK38993 A	E04869	4	
65	Union	XEK36303 A	E02507	1	
66	Rubber Cap	17B29767 A	P24397	1	
67	Strainer	17G62701 B	P25037	1	
68	Flare Nut	25JR0900	E02489	1	
69	Valve Port	XEK39256 A	E04872	1	
70	GASKET	XEK36144 B	E03832	2	Pump Connection
71	Gasket	XEK36397 A	E02528	2	Filter Ball/ 3 Way Valve Connection
72	GASKET	XEK36144 A	E02497	2	Vessel Connection/MIni Valve Connection
73	Gasket	XEK36144 D	E04873	1	Union Connection
74	P-Spring	X17G31457 A	E02444	1	THMs
75	P-Spring	X17G27651 C	E02550	1	THMG
76	P-Spring	X17G31457 D	E01193	1	THMw1
77	P-Spring	XEK36252 A	E02551	2	THMwo
78	P-Spring	X17G27651 B	E02549	1	THML
79	Hydro Free Label	XEK50193 A	E05245	1	
80	Remote Control	7E543007	E05511	1	PC-ARFWE







PRODUCT
CODE

7E484021

MODEL NAME

RWHT-5.0VNF1E, 1~ 230V 50Hz

No.	DESCRIPTION	DWG No.	PART No.	Qty	REMARKS
1	Inv. Fin Assy	X17F21613 D	E03220	1	
2	PCB	XEK50451D	E05784	1	Before Serial N° 40E31181
2	PCB	XEK50451 F	E06461	1	From Serial N° 40E31181
3	Noise Filter	17B42008 A	P28596	1	
4	Terminal Board	X17P00835 O	E04778	1	
5	MG SW	17B28277 B	P24721	1	
6	Relay	XEK39260 A	E04779	1	
7	Fuse Holder	X17C68732 A	E00774	1	
8	Reactor Assy	XEK37903 A	E03817	1	
9	Terminal Board	X17C69651 A	E01088	1	
10	Fuse	XEK32372 C	E05512	1	50 A
11	Rocker Switch	XEK37911 A	E03828	1	
12	Fuse Holder	X17C68766 A	E02516	1	
13	Fuse	XEK39253 D	E04782	1	20 A
14	Spacer	XEK34315 A	E01789	18	
15	Clamp	XEK31150 A	E02012	4	
16	Rubber Bushing	XEK32468 A	E02060	4	
17	Rubber Bushing	X17D12070 L	E04775	2	
18	Fan Ebox	XEK25341 A	E04792	2	
19	Fan Support Subassy	XEK25486 A	E04793	1	Only Plate (without components)
20	E-Box Subassy	XEK25474 A	E04794	1	Only Plate (without components)
21	Electrical Box	XEK01479 C	E06175	1	Assembly (Components + Harness)

