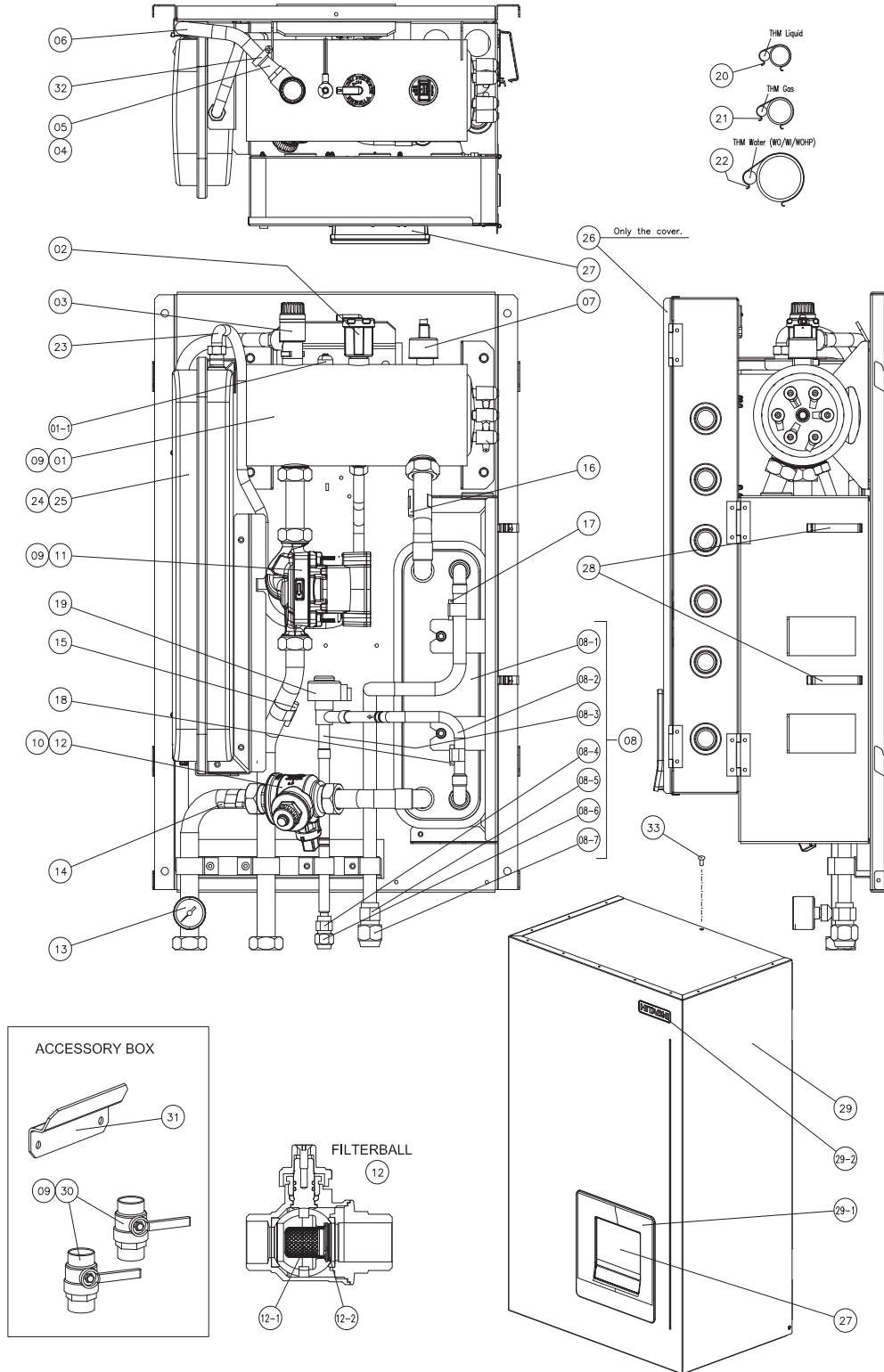


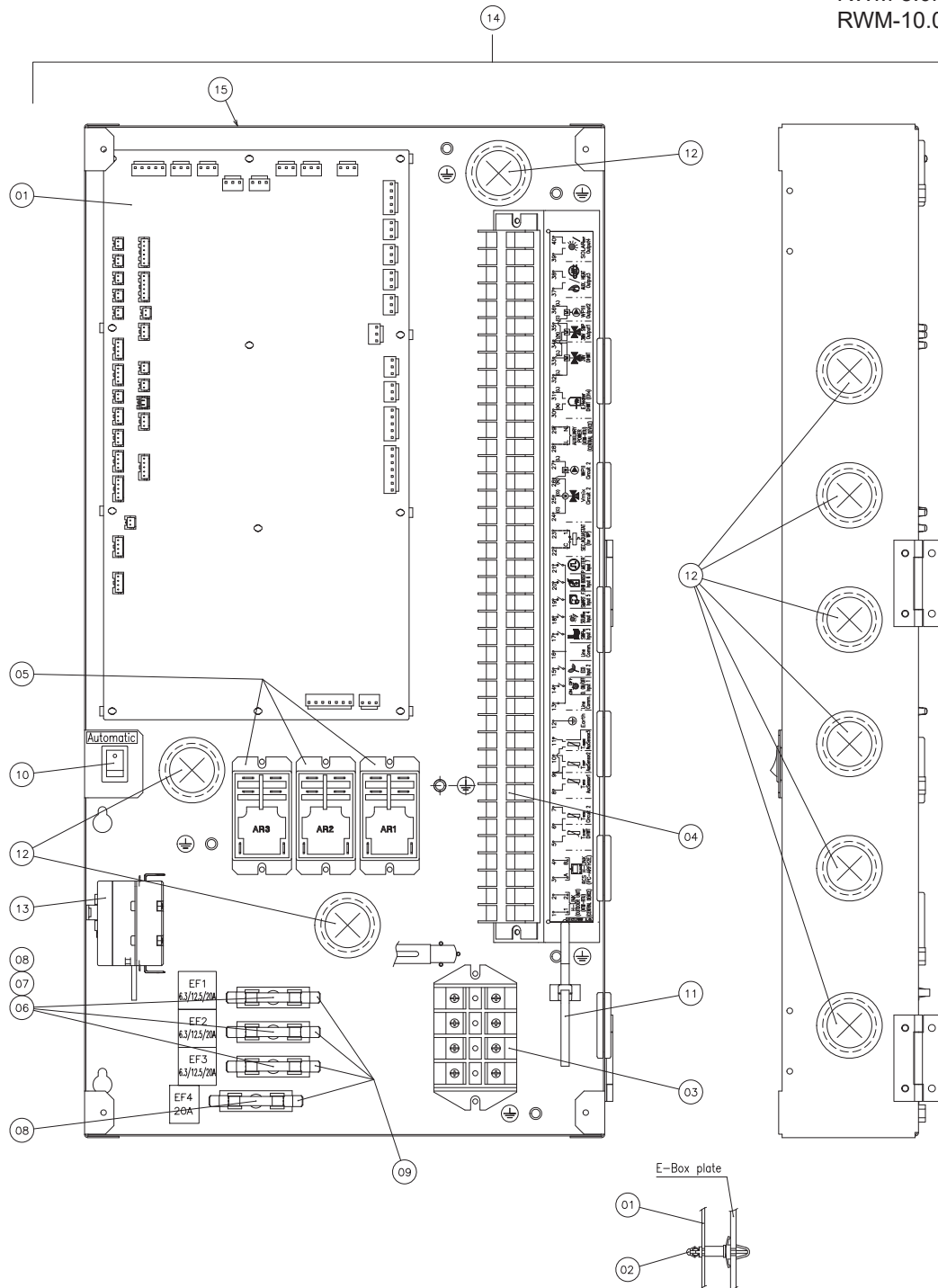
MODELS:
RWM-2.0R1E
RWM-2.5R1E
RWM-3.0R1E



No.	DESCRIPTION	DWG No.	PART No.	MODEL NAME			REMARKS
				RWM-2.0R1E	RWM-2.5R1E	RWM-3.0R1E	
				PRODUCT CODE			
				7E475216	7E475217	7E475218	
				Qty	Qty	Qty	
1	Electric Heater	XEK13028 A	E06153	1	1	1	
1-1	Surface Thermostat	XEK51313 A	E06159	1	1	1	Part of Electric Heater
2	Air Purge	XEK50420 A	E06307	1	1	1	
3	Security Valve	XEK37800 A	E02475	1	1	1	
4	Gasket	XEK36144 D	E04873	1	1	1	for Union 5 to Security Valve connection.
5	Union	XEK36303 A	E02507	1	1	1	
6	Drain Pipe	XEK36103 A	E02546	1	1	1	
7	Pressure Sensor	XEK27397 A	E07224	1	1	1	
8	Phex Unit	XEK25408 D	E07214	1			Assembly.
8	Phex Unit	XEK25408 E	E07215		1		Assembly.
8	Phex Unit	XEK25408 F	E07216			1	Assembly.
8-1	Plate Hex	XEK25315 A	E04974	1			
8-1	Plate Hex	XEK25315 B	E04975		1		
8-1	Plate Hex	XEK25315 C	E04896			1	
8-2	Expansion Valve Assy	XEK51819 A	E07188	1			Exp.Valve + Pipes + Strainers + Silencer.
8-2	Expansion Valve Assy	XEK27414 A	E07219		1	1	Exp.Valve + Pipes + Strainers + Silencer.
8-3	Expansion Valve	X17F04391 A	E03076	1			
8-3	Expansion Valve	X17F04392 A	E03077		1	1	
8-4	Union	27JR0609	E02935	1			Liquid connection.
8-4	Union	27JR0909	E06832		1	1	Liquid connection.
8-5	Union	27JR1717	E02488	1	1	1	Gas connection
8-6	Flare Nut	17E20872 A	R4224	1			Liquid connection.
8-6	Flare Nut	17E20872 B	R4225		1	1	Liquid connection.
8-7	Flare Nut	17E20872 D	R4227	1	1	1	Gas connection
9	Gasket	XEK36144 B	E03832	8	8	8	for Pump, E-Heater and Shutdown Valves connections.
10	Gasket	XEK36397 A	E02528	2	2	2	for FilterBall connections.
11	Water Pump	XEK27246 A	E07102	1	1	1	
12	Filter Ball	XEK25347 A	E04840	1	1	1	
12-1	Filter	XEK39398 B	E04841	1	1	1	
12-2	Seeger	XEK39399 B	E04842	1	1	1	
13	Manometer	XEK39269 A	E05014	1	1	1	
14	Thermistor Assy 1	XEK26451 T	E07190	1	1	1	Water In THM.
15	Thermistor Assy 1	XEK26451 F	E04904	1	1	1	Water Out THM.

No.	DESCRIPTION	DWG No.	PART No.	PRODUCT CODE			REMARKS
				MODEL NAME	7E475216	7E475217	
				RWM-2.0R1E			
				RWM-2.5R1E			
				RWM-3.0R1E			
No.	DESCRIPTION	DWG No.	PART No.	Qty	Qty	Qty	REMARKS
16	Thermistor Assy 1	XEK26451 K	E04988	1	1	1	Water Out PHEX THM.
17	Thermistor Assy 2	XEK26430 A	E04930	1	1	1	Gas THM.
18	Thermistor Assy 2	XEK26430 G	E04993	1	1	1	Liquid THM.
19	Exp. Valve Coil	X17F04390 C	E03180	1	1	1	
20	P-Spring	X17H31854 A	E07191	1	1	1	
21	P-Spring	X17G27651 C	E02550	1	1	1	
22	P-Spring	X17G31457 D	E01193	3	3	3	
23	Flexible Pipe	XEK24724 G	E04048	1	1	1	Vessel connection.
24	Gasket	XEK36144 A	E02497	1	1	1	Vessel connection.
25	Expansion Vessel (6 L)	XEK27169 A	E04893	1	1	1	
26	E-Box Cover Assy	XEK52889 A	E07192	1	1	1	Plate + Labels.
27	Remote Controller	XEK52902 A	E07225	1	1	1	
28	Clamp	XEK36297 A	E02504	2	2	2	
29	Service Cover Assy	XEK27393 A	E07193	1	1	1	Assembly.
29-1	Lcd Frame	XEK13393 A	E07132	1	1	1	
29-2	Hitachi Label	XEK52930 A	E07226	1	1	1	
30	Shutdown Valve	XEK39401 A	E05019	2	2	2	
31	Wall Support	XEK39386 A	E05018	1	1	1	
32	Clamp	XEK39789 A	E05026	1	1	1	
33	Screw	17H12637 A	P25678	1	1	1	

MODELS:
 RWM-2.0R1E
 RWM-2.5R1E
 RWM-3.0R1E
 RWM-4.0N1E
 RWM-5.0N1E
 RWM-6.0N1E
 RWM-8.0N1E
 RWM-10.0N1E



MODEL NAME	RWM-2.0R1E	7E475216
	RWM-2.5R1E	7E475217
	RWM-3.0R1E	7E475218
	RWM-4.0N1E	7E475020
	RWM-5.0N1E	7E475021
	RWM-6.0N1E	7E475022
	RWM-8.0N1E	7E475023
	RWM-10.0N1E	7E475024

No.	DESCRIPTION	DWG No.	PART No.	Qty	Qty	Qty	Qty	Qty	Qty	Qty	Qty	REMARKS
1	PCB	XEK52730 A	E07070	1	1	1	1	1	1	1	1	
2	Spacer	XEK34315 A	E01789	12	12	12	12	12	12	12	12	
3	Terminal Board	XEK34375 A	E02519	1	1	1	1	1	1	1	1	
4	Terminal Board	X17P00835 O	E04778	1	1	1	1	1	1	1	1	
5	Relay	XEK39260 A	E04779	3	3	3	3	3	3	3	3	
6	Fuse	XEK39253 A	E04780	3	3	3						6,3A
7	Fuse	XEK39253 B	E04781				3	3	3			12,5A
8	Fuse	XEK39253 D	E04782	1	1	1	1	1	1	4	4	20A
9	Fuse Holder	X17C68766 A	E02516	4	4	4	4	4	4	4	4	
10	Rocker Switch	XEK52821 A	E07134	1	1	1	1	1	1	1	1	
11	Clamp	XEK31150 A	E02012	1	1	1	1	1	1	1	1	
12	Rubber Bush	XEK32468 A	E02060	9	9	9	9	9	9	9	9	
13	Thermostat	XEK39254 A	E04785	1	1	1	1	1	1	1	1	
14	Electrical Box	XEK01850 A	E07204	1	1	1						Assembly (Plate + Components + Harness)
14	Electrical Box	XEK01850 B	E07205				1	1	1			Assembly (Plate + Components + Harness)
14	Electrical Box	XEK01850 C	E07206							1	1	Assembly (Plate + Components + Harness)
15	E-Box SubAssy	XEK27403 A	E07207	1	1	1	1	1	1	1	1	Only plate (without components)