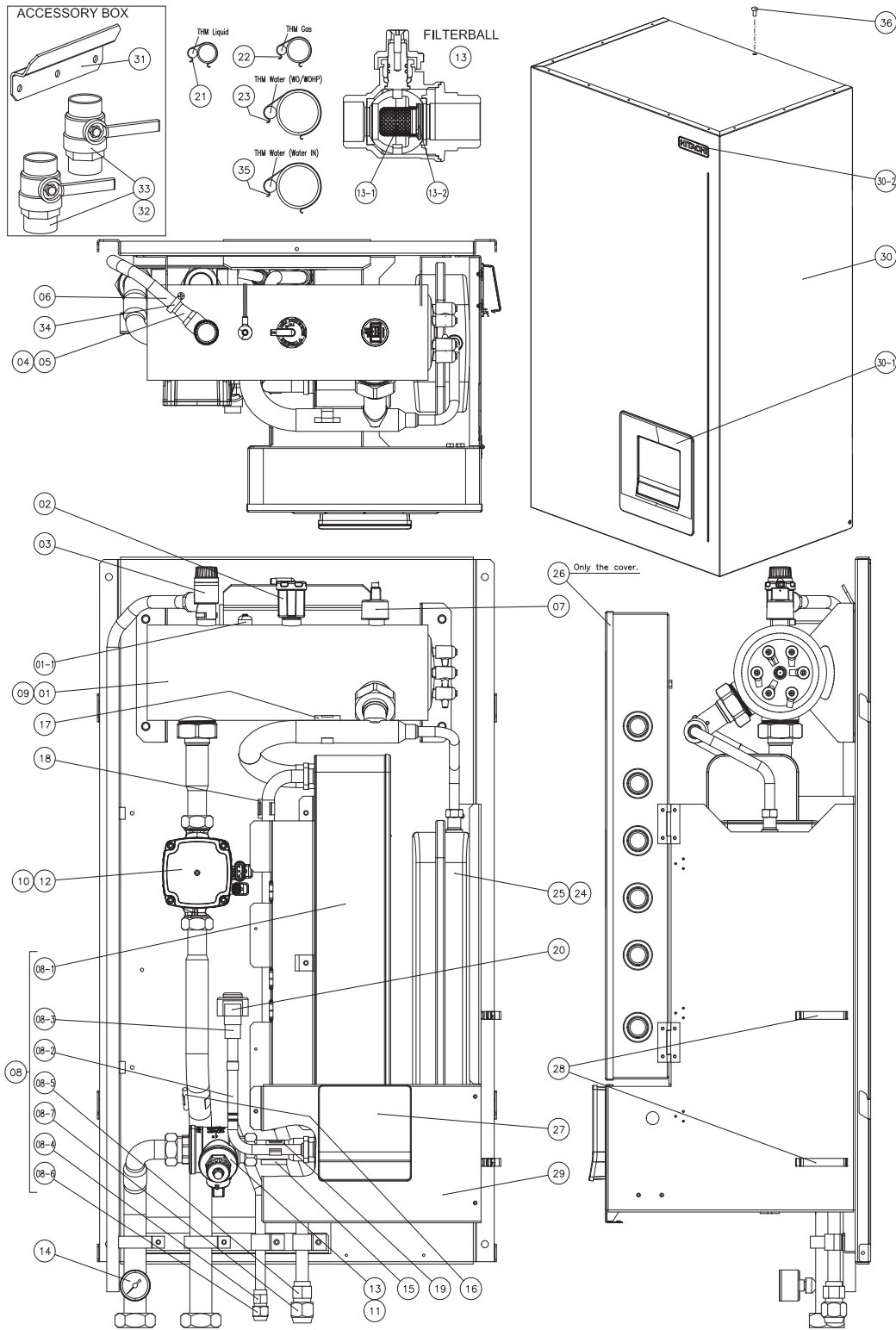


MODEL NAME	7E475020	7E475021	7E475022
	RWM-4.0N1E	RWM-5.0N1E	RWM-6.0N1E
	PRODUCT CODE		

No.	DESCRIPTION	DWG No.	PART No.	Qty	Qty	Qty	REMARKS
1	Electric Heater	XEK13029 A	E06155	1	1	1	
1-1	Surface Thermostat	XEK51313 A	E06159	1	1	1	Part of Electric Heater
2	Air Purge	XEK50420 A	E06307	1	1	1	
3	Security Valve	XEK37800 A	E02475	1	1	1	
4	Gasket	XEK36144 D	E04873	1	1	1	for Union 5 to Security Valve connection.
5	Union	XEK36303 A	E02507	1	1	1	
6	Drain Pipe	XEK36103 A	E02546	1	1	1	
7	Pressure Sensor	XEK27397 A	E07224	1	1	1	
8	Phex Unit	XEK27398 A	E07194	1			Assembly.
8	Phex Unit	XEK27398 B	E07195		1	1	Assembly.
8-1	Plate Hex	XEK26502 A	E06535	1			
8-1	Plate Hex	XEK26502 B	E06536		1	1	
8-2	Expansion Valve Assy	XEK27415 A	E07220	1			Exp.Valve + Pipes + Strainers + Silencer
8-2	Expansion Valve Assy	XEK27415 B	E07221		1	1	Exp.Valve + Pipes + Strainers + Silencer
8-3	Expansion Valve	X17F04392 A	E03077	1			
8-3	Expansion Valve	X17F04393 A	E03078		1	1	
8-4	Union	27JR0913	E02487	1	1	1	Liquid connection.
8-5	Union	27JR1717	E02488	1	1	1	Gas connection
8-6	Flare Nut	17E20872 B	R4225	1	1	1	Liquid connection.
8-7	Flare Nut	17E20872 D	R4227	1	1	1	Gas connection
9	Gasket	XEK35682 A	E02496	2	2	2	for Electric Heater connections.
10	Gasket	XEK36144 B	E03832	2	2	2	for Pump connections.
11	Gasket	XEK36397 A	E02528	2	2	2	for Filter Ball connections.
12	Water Pump	XEK27247 A	E07103	1	1	1	
13	Filter Ball	XEK25347 A	E04840	1	1	1	
13-1	Filter	XEK39398 B	E04841	1	1	1	
13-2	Seeger	XEK39399 B	E04842	1	1	1	
14	Manometer	XEK39269 A	E05014	1	1	1	
15	Thermistor Assy 1	XEK26451 U	E07145	1	1	1	Water In THM.
16	Thermistor Assy 1	XEK26451 G	E04986	1	1	1	Water Out THM.
17	Thermistor Assy 1	XEK26451 L	E04989	1	1	1	Water Out PHEX THM.
18	Thermistor Assy 2	XEK26430 B	E04991	1	1	1	Gas THM.

No.	DESCRIPTION	DWG No.	PART No.	PRODUCT CODE			REMARKS
				MODEL NAME	7E475020	7E475021	
				RWM-4.0N1E			
				RWM-5.0N1E			
				RWM-6.0N1E			
No.	DESCRIPTION	DWG No.	PART No.	Qty	Qty	Qty	REMARKS
19	Thermistor Assy 2	XEK26430 H	E04994	1	1	1	Liquid THM.
20	Exp. Valve Coil	X17F04390 C	E03180	1	1	1	
21	P-Spring	X17H31854 A	E07191	1	1	1	
22	P-Spring	X17G27651 C	E02550	1	1	1	
23	P-Spring	XEK36252 A	E02551	2	2	2	
24	Gasket	XEK36144 A	E02497	1	1	1	Vessel connection.
25	Expansion Vessel (6 L)	XEK27169 A	E04893	1	1	1	
26	E-Box Cover Assy	XEK52890 A	E07198	1	1	1	Plate + Labels.
27	Remote Controller	XEK52902 A	E07225	1	1	1	
28	Clamp	XEK36297 A	E02504	2	2	2	
29	Lcd Support	XEK52873 A	E07199	1	1	1	
30	Service Cover Assy	XEK27394 A	E07200	1	1	1	Assembly.
30-1	Lcd Frame	XEK13393 A	E07132	1	1	1	
30-2	Hitachi Label	XEK52930 A	E07226	1	1	1	
31	Wall Support	XEK36145 A	E02552	1	1	1	
32	Gasket	XEK36144 C	E04824	4	4	4	for Shutdown Valves connections.
33	Shutdown Valve	XEK39401 B	E04846	2	2	2	
34	Clamp	XEK39789 A	E05026	1	1	1	
35	P-Spring	X17G31457 D	E01193	1	1	1	
36	Screw	17H12637 A	P25678	1	1	1	

MODELS:
RWM-4.0N1E
RWM-5.0N1E
RWM-6.0N1E



MODEL NAME	RWM-2.0R1E	7E475216
	RWM-2.5R1E	7E475217
	RWM-3.0R1E	7E475218
	RWM-4.0N1E	7E475020
	RWM-5.0N1E	7E475021
	RWM-6.0N1E	7E475022
	RWM-8.0N1E	7E475023
	RWM-10.0N1E	7E475024

No.	DESCRIPTION	DWG No.	PART No.	Qty	Qty	Qty	Qty	Qty	Qty	Qty	Qty	REMARKS
1	PCB	XEK52730 A	E07070	1	1	1	1	1	1	1	1	
2	Spacer	XEK34315 A	E01789	12	12	12	12	12	12	12	12	
3	Terminal Board	XEK34375 A	E02519	1	1	1	1	1	1	1	1	
4	Terminal Board	X17P00835 O	E04778	1	1	1	1	1	1	1	1	
5	Relay	XEK39260 A	E04779	3	3	3	3	3	3	3	3	
6	Fuse	XEK39253 A	E04780	3	3	3						6,3A
7	Fuse	XEK39253 B	E04781				3	3	3			12,5A
8	Fuse	XEK39253 D	E04782	1	1	1	1	1	1	4	4	20A
9	Fuse Holder	X17C68766 A	E02516	4	4	4	4	4	4	4	4	
10	Rocker Switch	XEK52821 A	E07134	1	1	1	1	1	1	1	1	
11	Clamp	XEK31150 A	E02012	1	1	1	1	1	1	1	1	
12	Rubber Bush	XEK32468 A	E02060	9	9	9	9	9	9	9	9	
13	Thermostat	XEK39254 A	E04785	1	1	1	1	1	1	1	1	
14	Electrical Box	XEK01850 A	E07204	1	1	1						Assembly (Plate + Components + Harness)
14	Electrical Box	XEK01850 B	E07205				1	1	1			Assembly (Plate + Components + Harness)
14	Electrical Box	XEK01850 C	E07206							1	1	Assembly (Plate + Components + Harness)
15	E-Box SubAssy	XEK27403 A	E07207	1	1	1	1	1	1	1	1	Only plate (without components)

MODELS:
 RWM-2.0R1E
 RWM-2.5R1E
 RWM-3.0R1E
 RWM-4.0N1E
 RWM-5.0N1E
 RWM-6.0N1E
 RWM-8.0N1E
 RWM-10.0N1E

