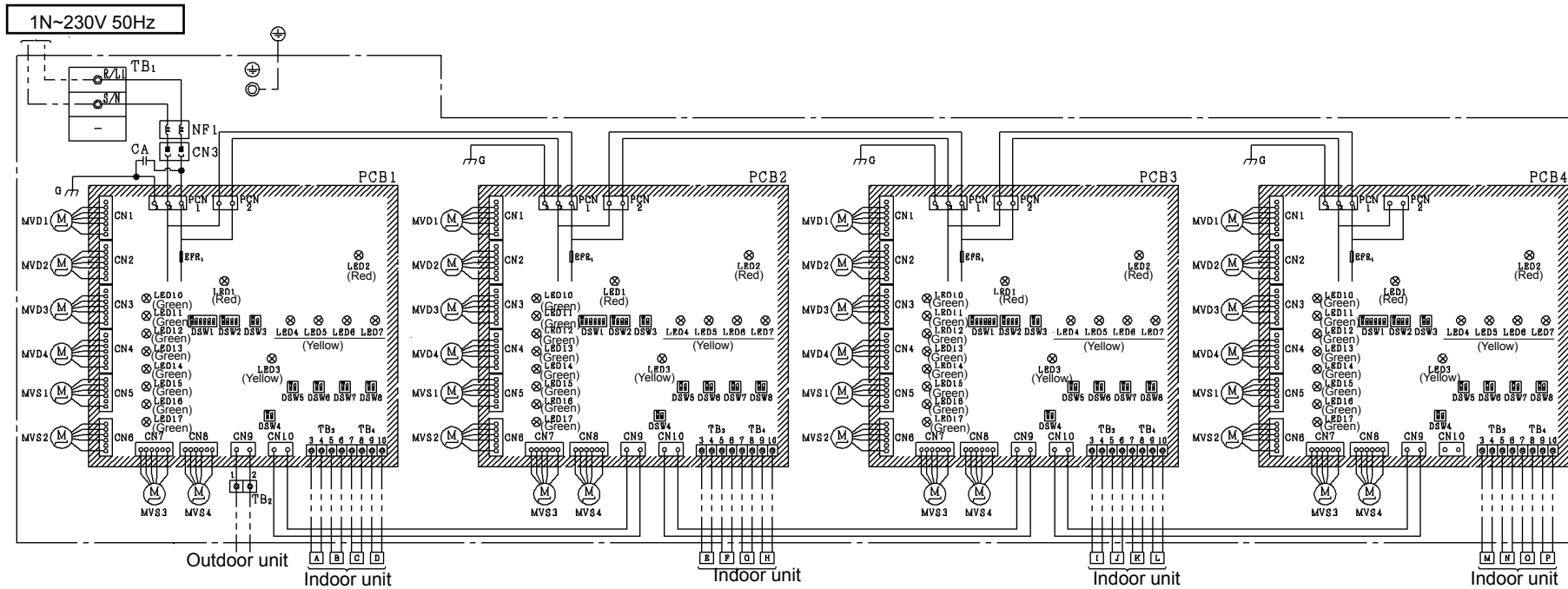
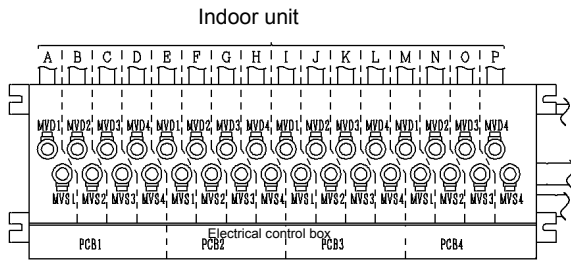
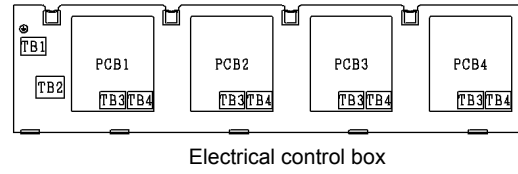


# SCHALTPLAN CH-AP16MSSX





Arrangement of electronic expansion valves (view from above)



Electrical control box

Mark	Torque tighten the terminal	Screw Size
TB1	1.0~1.3 (Nm)	M4
TB2	1.0~1.3 (Nm)	
TB3.4	0.7~1.1 (Nm)	M3.5

Indoor unit	Wiring position		Indoor unit	Wiring position			
Indoor unit A	PCB1	TB3-3	MVD 1	Indoor unit E	PCB2	TB3-3	MVD 1
		TB3-4	MVS 1			TB3-4	MVS 1
Indoor unit B		TB3-5	MVD 2	Indoor unit F		TB3-5	MVD 2
		TB3-6	MVS 2			TB3-6	MVS 2
Indoor unit C	TB4-7	MVD 3	Indoor unit G	TB4-7	MVD 3		
	TB4-8	MVS 3		TB4-8	MVS 3		
Indoor unit D	TB4-9	MVD 4	Indoor unit H	TB4-9	MVD 4		
	TB4-10	MVS 4		TB4-10	MVS 4		

Indoor unit	Wiring position		Indoor unit	Wiring position			
Indoor unit I	PCB3	TB3-3	MVD 1	Indoor unit M	PCB4	TB3-3	MVD 1
		TB3-4	MVS 1			TB3-4	MVS 1
Indoor unit J		TB3-5	MVD 2	Indoor unit N		TB3-5	MVD 2
		TB3-6	MVS 2			TB3-6	MVS 2
Indoor unit K	TB4-7	MVD 3	Indoor unit O	TB4-7	MVD 3		
	TB4-8	MVS 3		TB4-8	MVS 3		
Indoor unit L	TB4-9	MVD 4	Indoor unit P	TB4-9	MVD 4		
	TB4-10	MVS 4		TB4-10	MVS 4		

Mark	Name	Remark
PCB1~4	Printed circuit board	
TB1	Terminal Block	for Power Supply
TB2	Terminal Block	for Communication (Outdoor unit)
TB3, 4	Terminal Block	for Communication (Indoor unit)
MVD <sub>1-4</sub>	Electronic Expansion Valve	
MVS <sub>1-4</sub>	Electronic Expansion Valve	
NF1	Noise Filter	
EFR <sub>1</sub>	Fuse	
LED1	LED(Red)	Power status
LED2	LED(Red)	D.C Power Status
LED3	LED(Yellow)	Communication (Outdoor Unit)
LED4~7	LED(Yellow)	Communication (Indoor Unit)
LED10~17	LED(Green)	
DSW1~3	DIP Switch	
DSW4	DIP Switch	Communication (Outdoor Unit)
DSW5~8	DIP Switch	Communication (Indoor Unit)
CA	Capacitor	